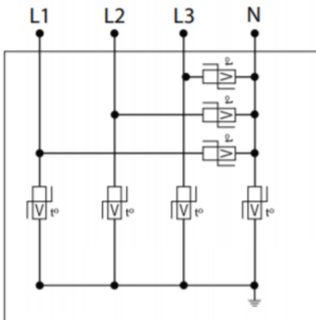




- ✦ Multi-TMOV Technology
- ✦ UL1449 Type 1 LISTED
- ✦ 105-220kA Surge Current Rating
- ✦ Visual fault indicator, audible alarm and remote contacts
- ✦ 10-Year warranty



Electrical Characteristics	
POWER SPD TYPE	UL1449 TYPE 1 LISTED
VOLTS	(V) 240
AC/DC/DC PV/RF	AC
PHASE	(PH) 3D
AMPS	(A) N/A
AMBIENT MIN	(C) -35
AMBIENT MAX	(C) +85
MODES	L-L, L-G
VPR	(V) 1800/-/1200/-
MCOV	(V) 640/-/320/-
IN	(kA) 20
15 impulses 8/20µs	
IMAX	(kA) 220
8/20µs	
Mechanical Characteristics	
TECHNOLOGY	Multi-TMOV
NETWORK CONFIGURATION	3PH, 3W+G, Delta
CONNECTION METHOD	36" #10 AWG LEADS
MOUNTING	FLANGE MOUNT
MATERIAL	Steel
NEMA RATING (IP RATING)	IP65
FAIL-SAFE BEHAVIOR	Yes, no upstream over current protection required
REAL-TIME DIAGNOSTICS	% of protection present LED, audible alarm and remote contacts. Optional surge counter.
DIMENSIONS	See diagram
WEIGHT	6 lbs
Standards	
Certification	UL Listed
UL STANDARD	UL1449 5th Edition
UL CATEGORY	VZCA, VZCA7
UL FILE NUMBER	E326289
STANDARDS	UL96A, ANSI C62.41/45, NOM-003-SCFI-2014, NOM-001-SCFI-1993, IEC61643-11
ENVIRONMENTAL STANDARDS	ROHS
Part number	
890132	