



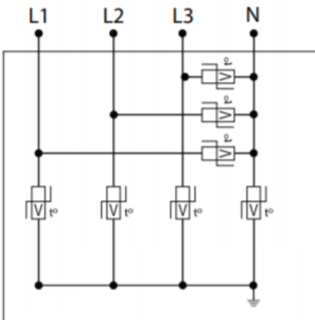
CITEL

- UL TYPE 1 LISTED - I_{max} 192kA per phase - I_n 20kA - NEMA Enclosure

MS160-240Y



- ✦ I_{max} 105-220kA per phase
- ✦ UL1449 Type 1 Listed SPD
- ✦ I_n 20kA
- ✦ SCCR 200kA
- ✦ Real-Time LED indicators, Audible Alarm, Remote Contacts
- ✦ Smart Diagnostic Indicating % protection present
- ✦ NEMA 4 (Other options NEMA 12, NEMA 4X Stainless Steel)
- ✦ UL1283 EMI Filter (Option available)
- ✦ Surge Counter (Option available)



Electrical Characteristics		
POWER SPD TYPE		UL1449 TYPE 1 LISTED
VOLTS	(V)	240/415
AC/DC/DC PV/RF		AC
PHASE	(PH)	3Y
AMPS	(A)	N/A
AMBIENT MIN	(C)	-35
AMBIENT MAX	(C)	+85
MODES		L-L, L-N, L-G, N-G
VPR	(V)	1800/1000/1200/1000
MCOV	(V)	640/320/320/320
I _N	(kA)	20
15 impulses 8/20μs		
I _{MAX}	(kA)	192
8/20μs		
Mechanical Characteristics		
TECHNOLOGY		Multi-TMOV
NETWORK CONFIGURATION		3PH, 4W+G, Wye
CONNECTION METHOD		36" #10 AWG LEADS
MOUNTING		FLANGE MOUNT
MATERIAL		Steel
NEMA RATING (IP RATING)		IP65
FAIL-SAFE BEHAVIOR		Yes, no upstream over current protection required
REAL-TIME DIAGNOSTICS		% of protection present LED, audible alarm and remote contacts. Optional surge counter.
DIMENSIONS		See diagram
WEIGHT		6 lbs
Standards		
UL STANDARD		UL1449 5th Edition
UL CATEGORY		VZCA, VZCA7
UL FILE NUMBER		E326289
STANDARDS		NOM-003-SCFI-2014, NOM-001-SCFI-1993
ENVIRONMENTAL STANDARDS		ROHS
Part number		
890165		

