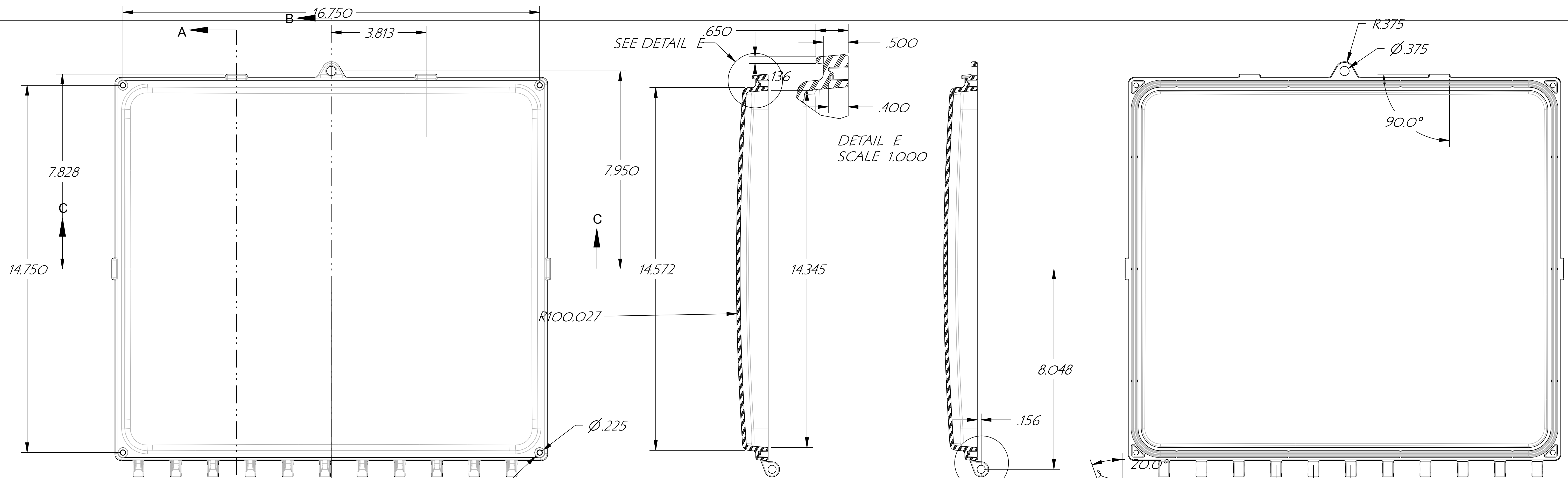


16 X 14 ENCLOSURE

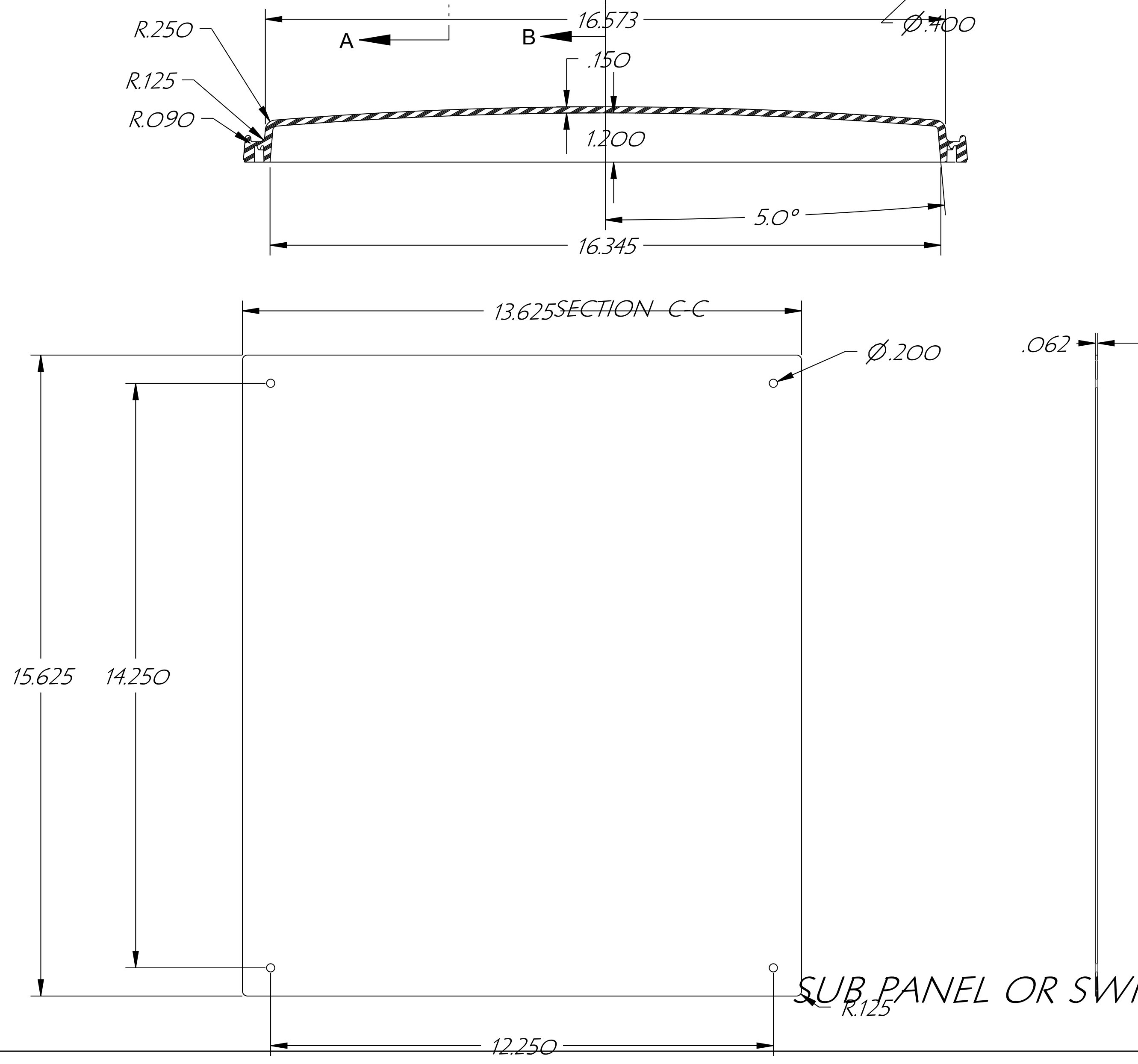
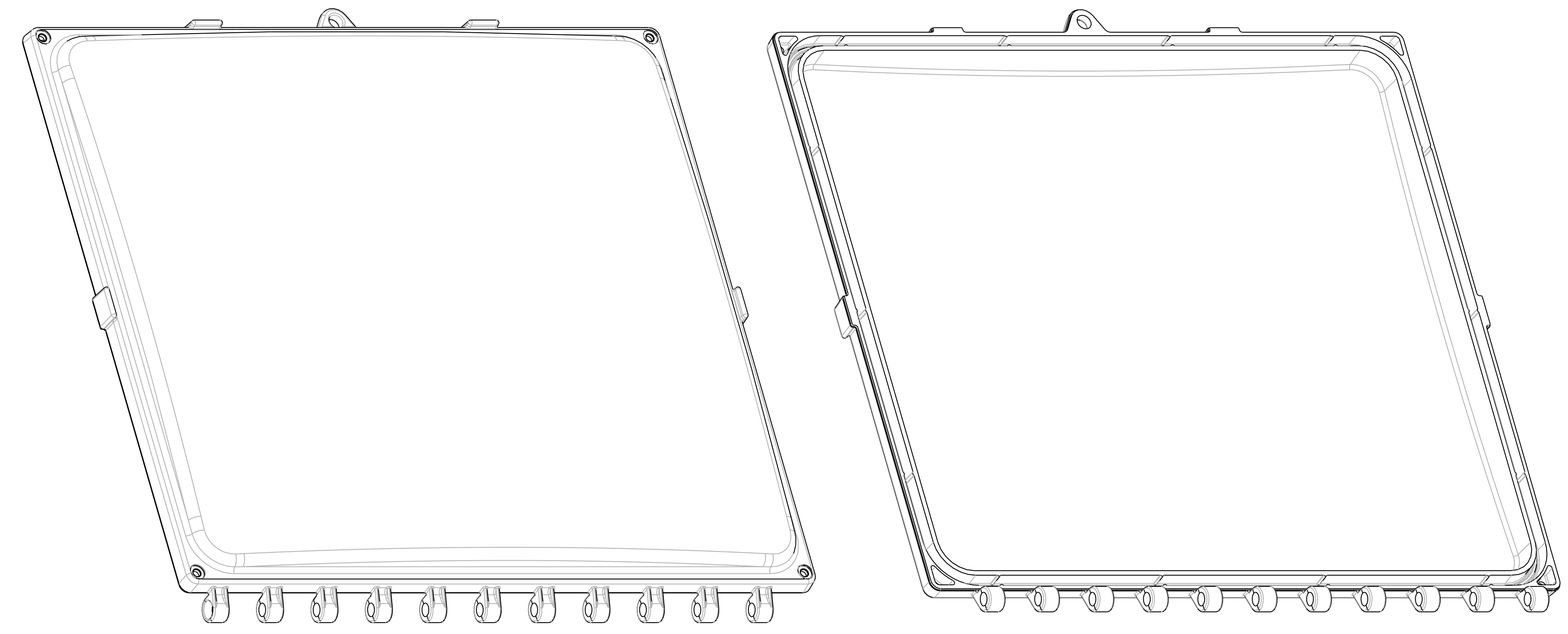
DES. C.R.W.	DRN. C.R.W.	CHKD.					
APP. DATE 10/16/07	SCALE						
TOLERANCES:		2 PLACE DEC. .010	FRACTION				
UNLESS OTHERWISE SHOWN		3 PLACE DEC. .005	± 1/64				
PART NAME ENCLOSURE & LID		PART NO.		PART MAT'L POLYCARBONATE			
TOOL DESC. SINGLE CAVITY INJECTION MOLD		SHRINK .006/IN.		SHEET		OF	



CUSTOMER



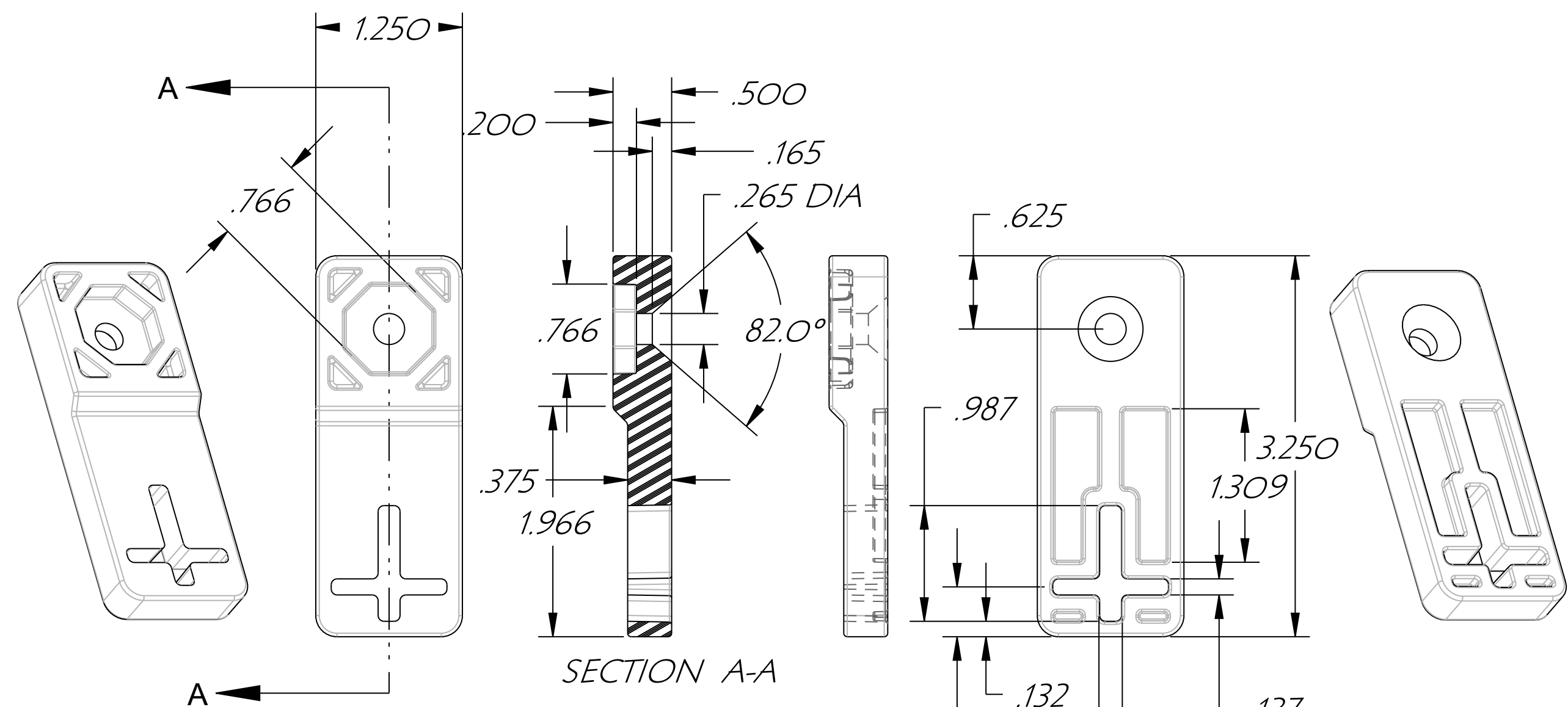
16 X 14 LID



SUB PANEL OR SWING PANEL

DES. C.R.W.	DRN. C.R.W.	CHKD. CHK.	ATTABOX		CUSTOMER
APP. DATE 10/16/07	SCALE		PART NAME ENCLOSURE & LID	PART NO.	PART MAT'L POLYCARBONATE
TOLERANCES: 2 PLACE DEC. .010 FRACTIONAL 3 PLACE DEC. .005 ± 1/64 UNLESS OTHERWISE SHOWN 4 PLACE DEC. .0005 ± 1/64			TOOL DESC. SINGLE CAVITY INJECTION MOLD	SHRINK .006/IN.	SHEET OF

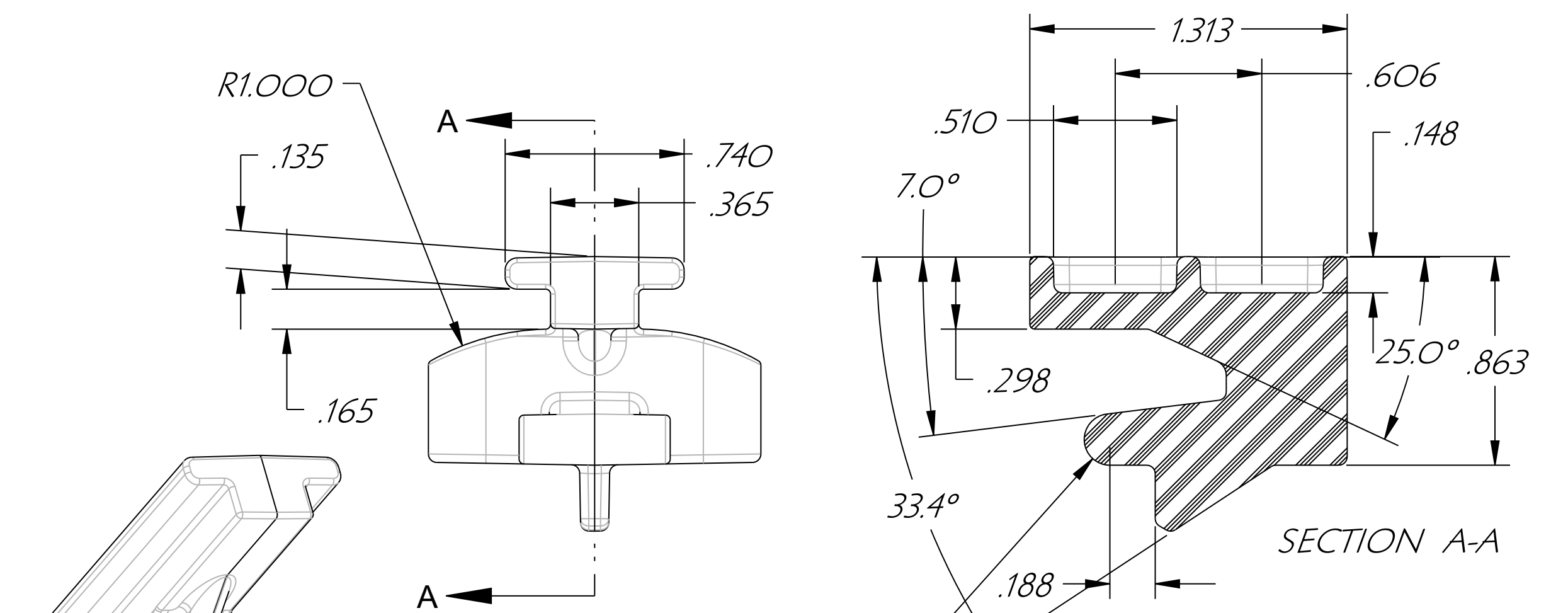




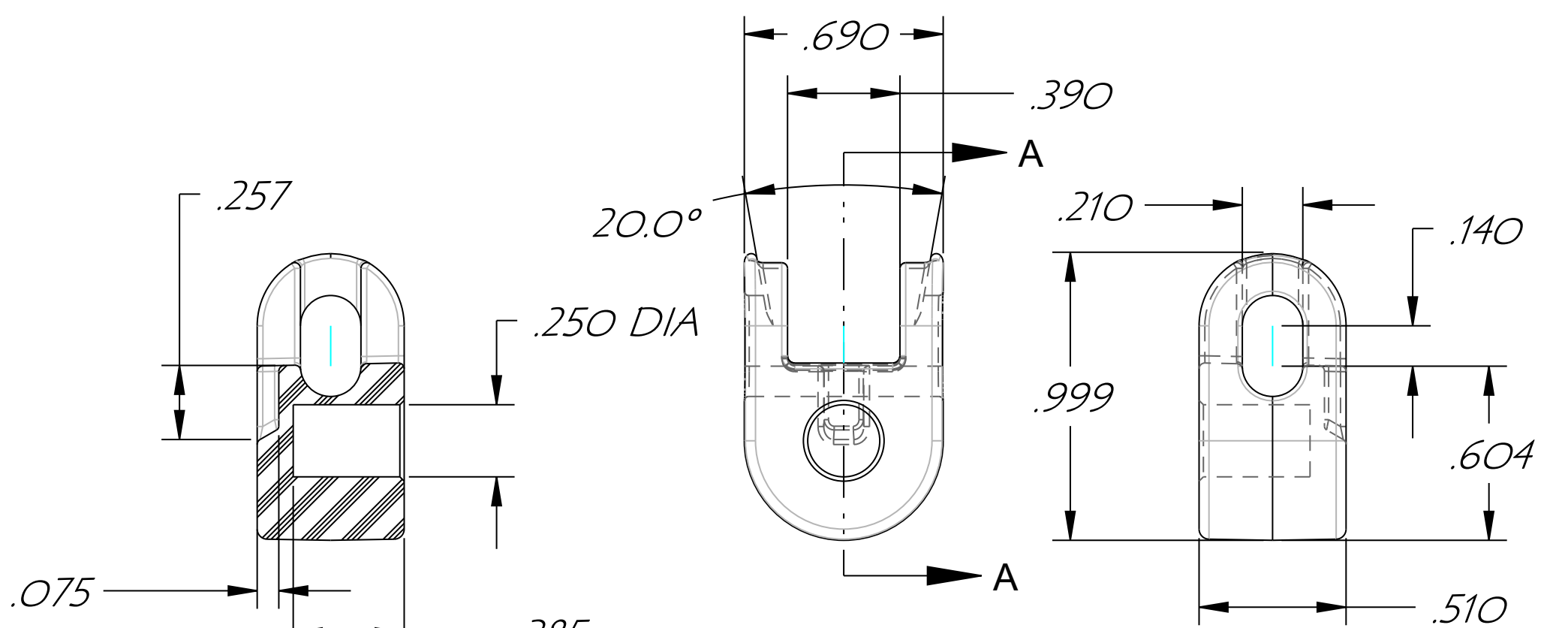
ADJUSTABLE FOOT MOUNT



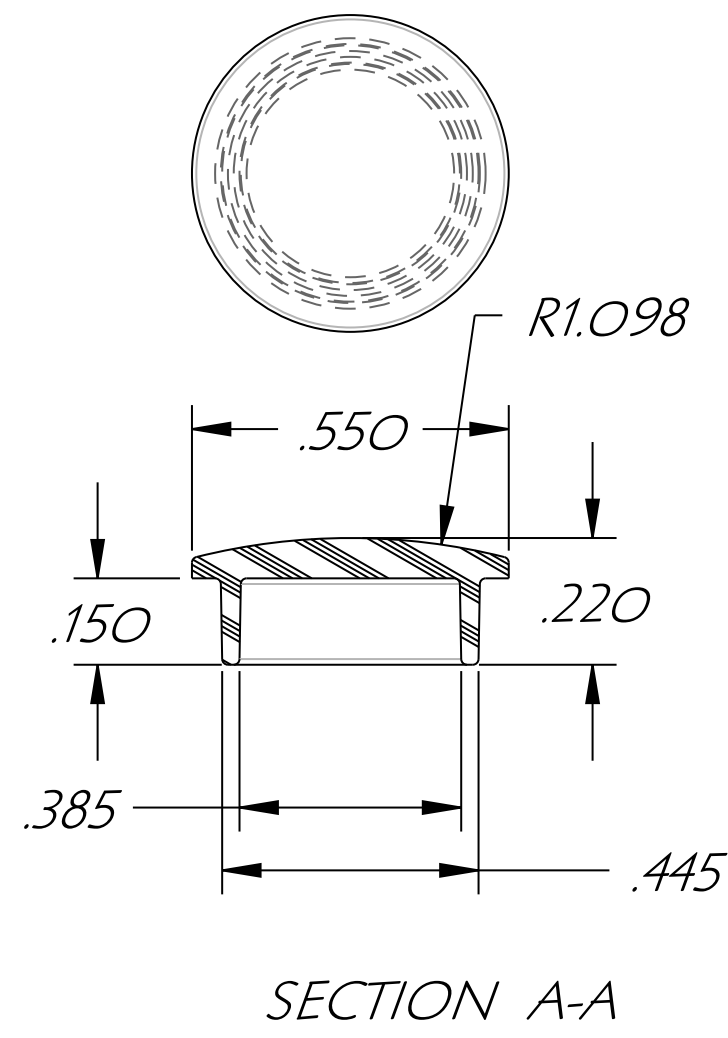
LID HINGE CAP



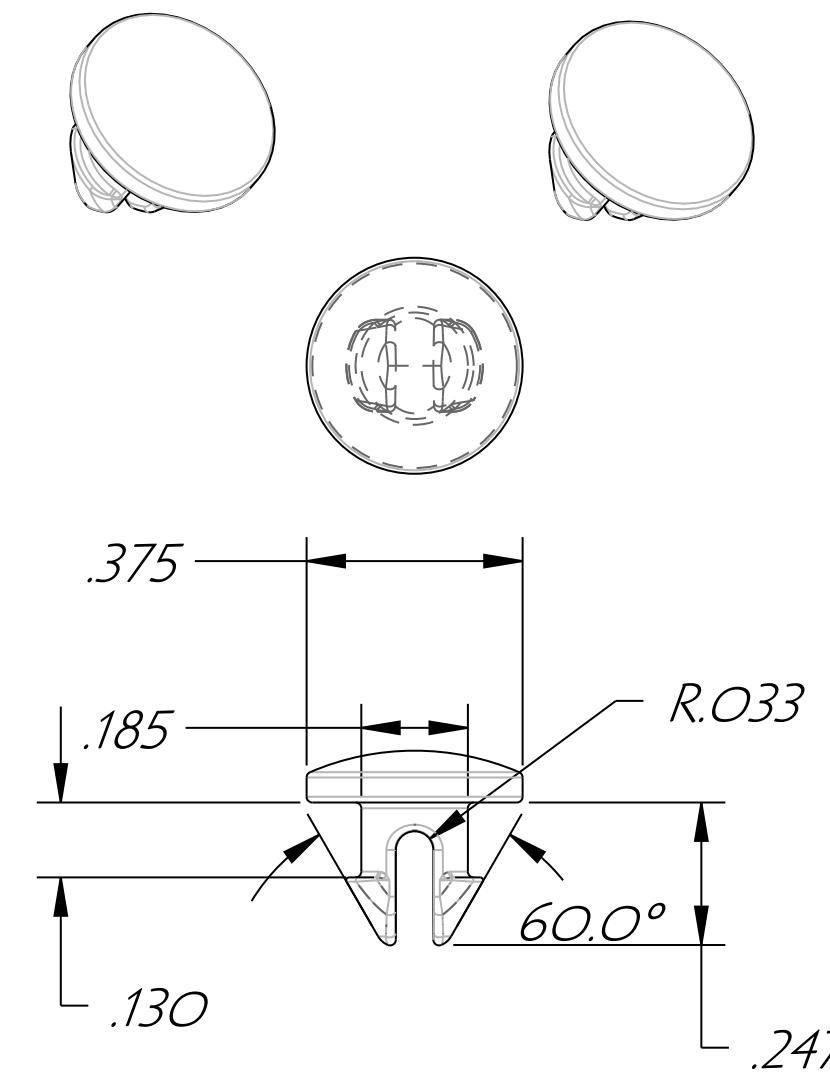
FLUSH PANEL MOUNT



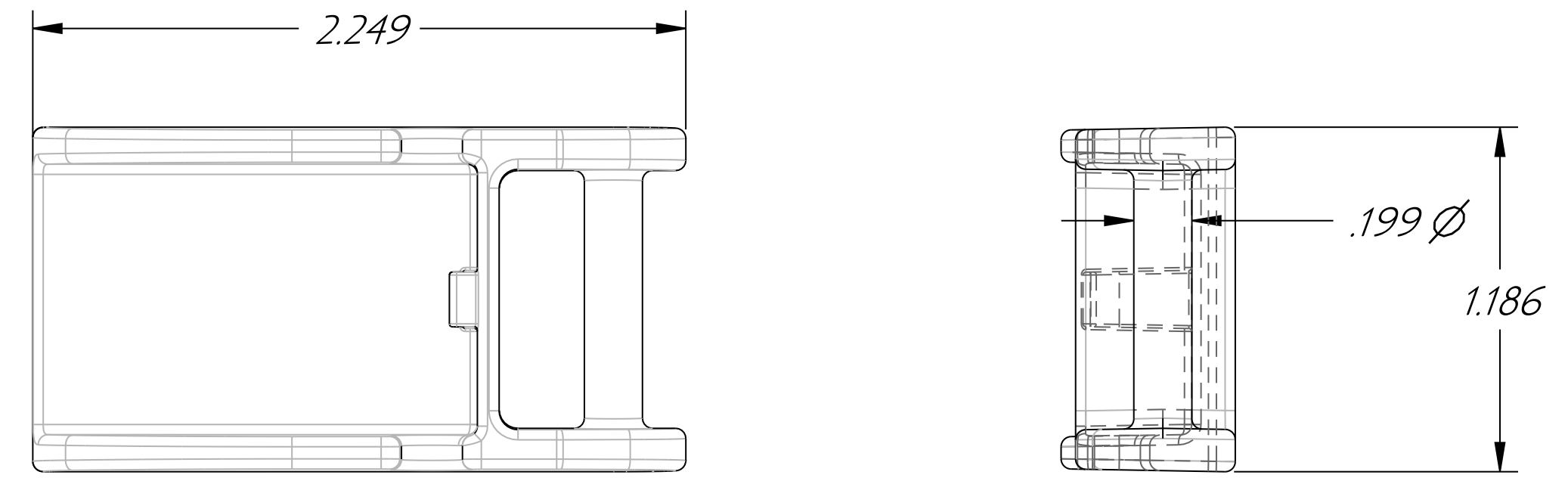
RETRACTING PANEL HINGE



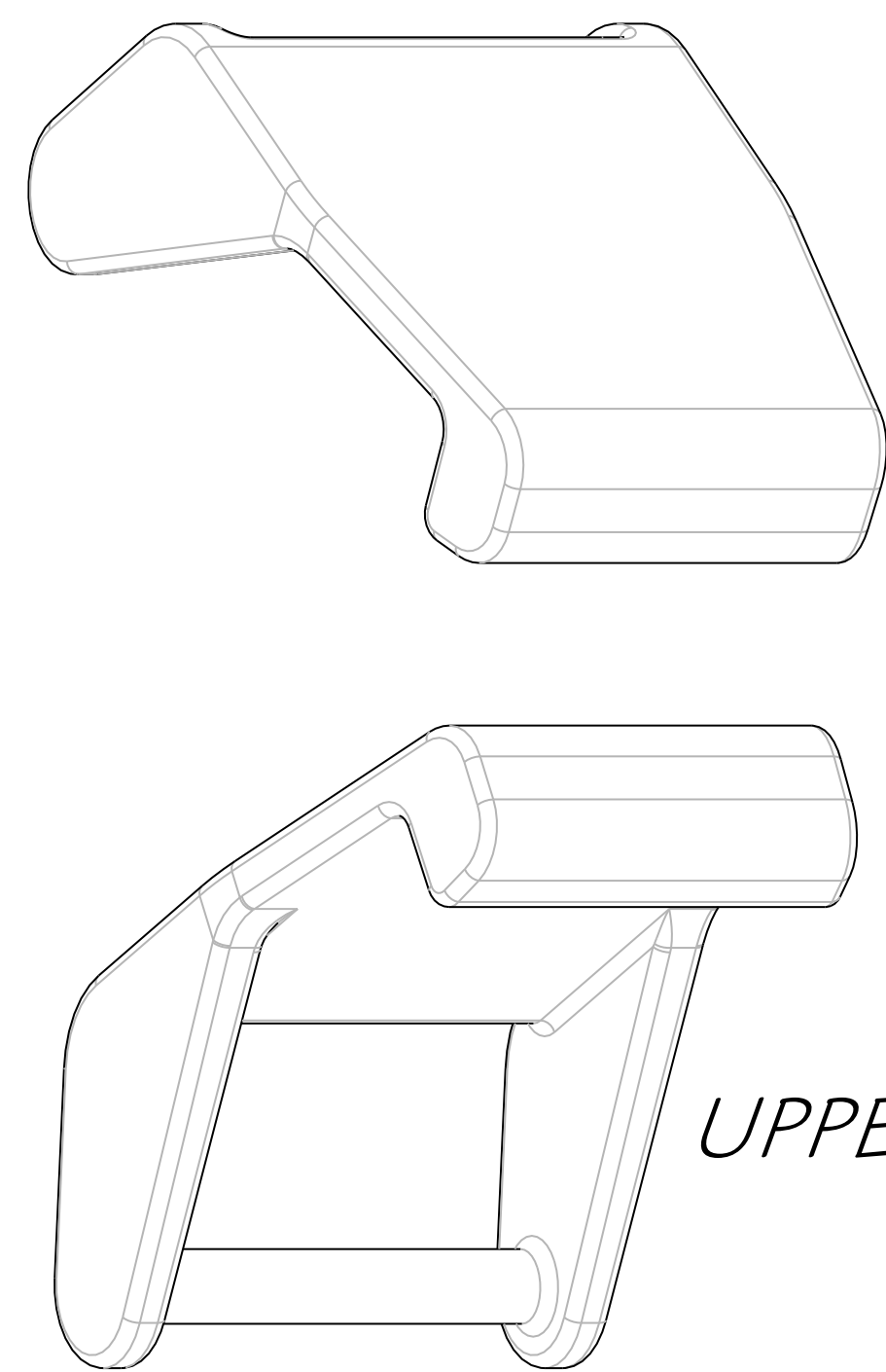
SECTION A-A



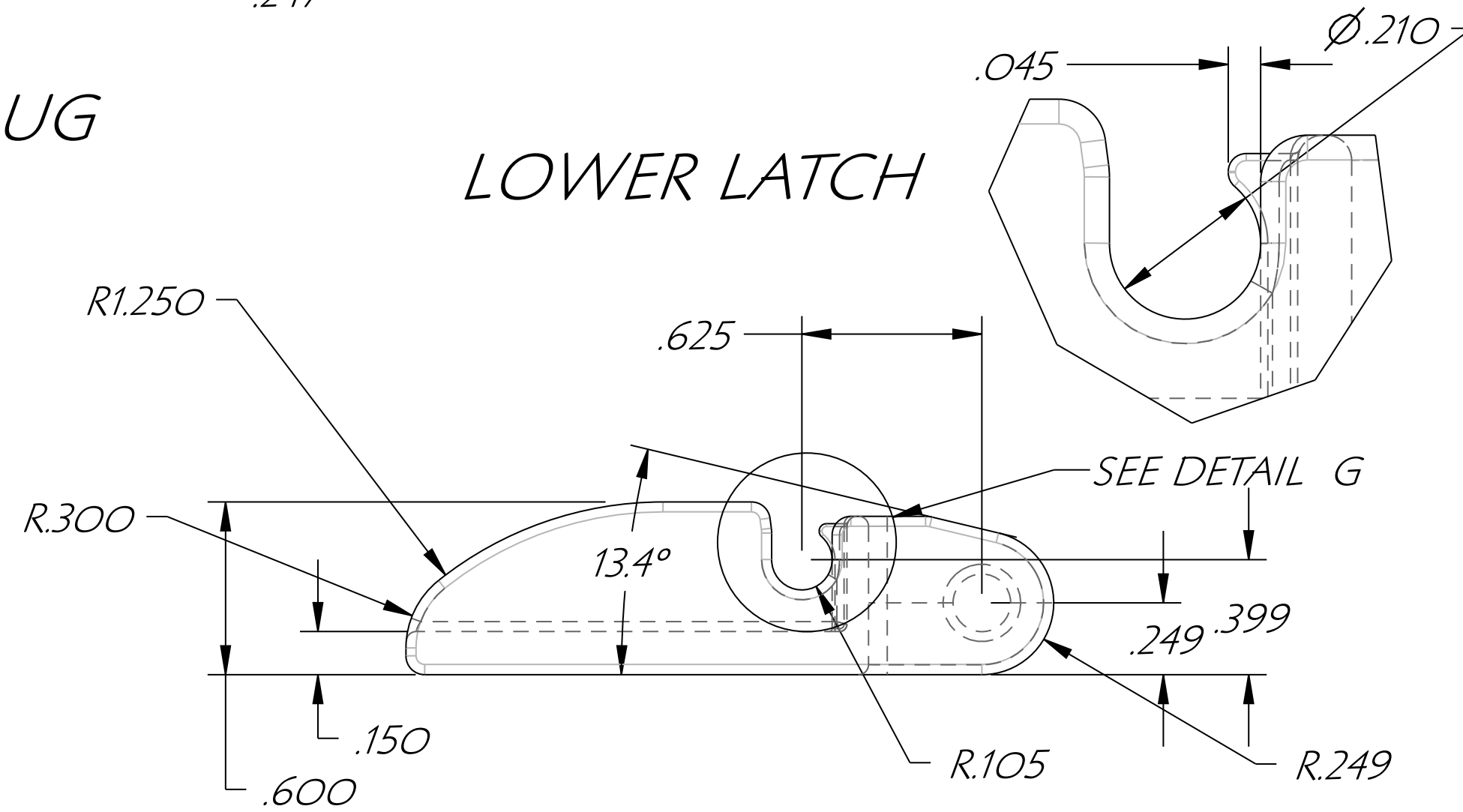
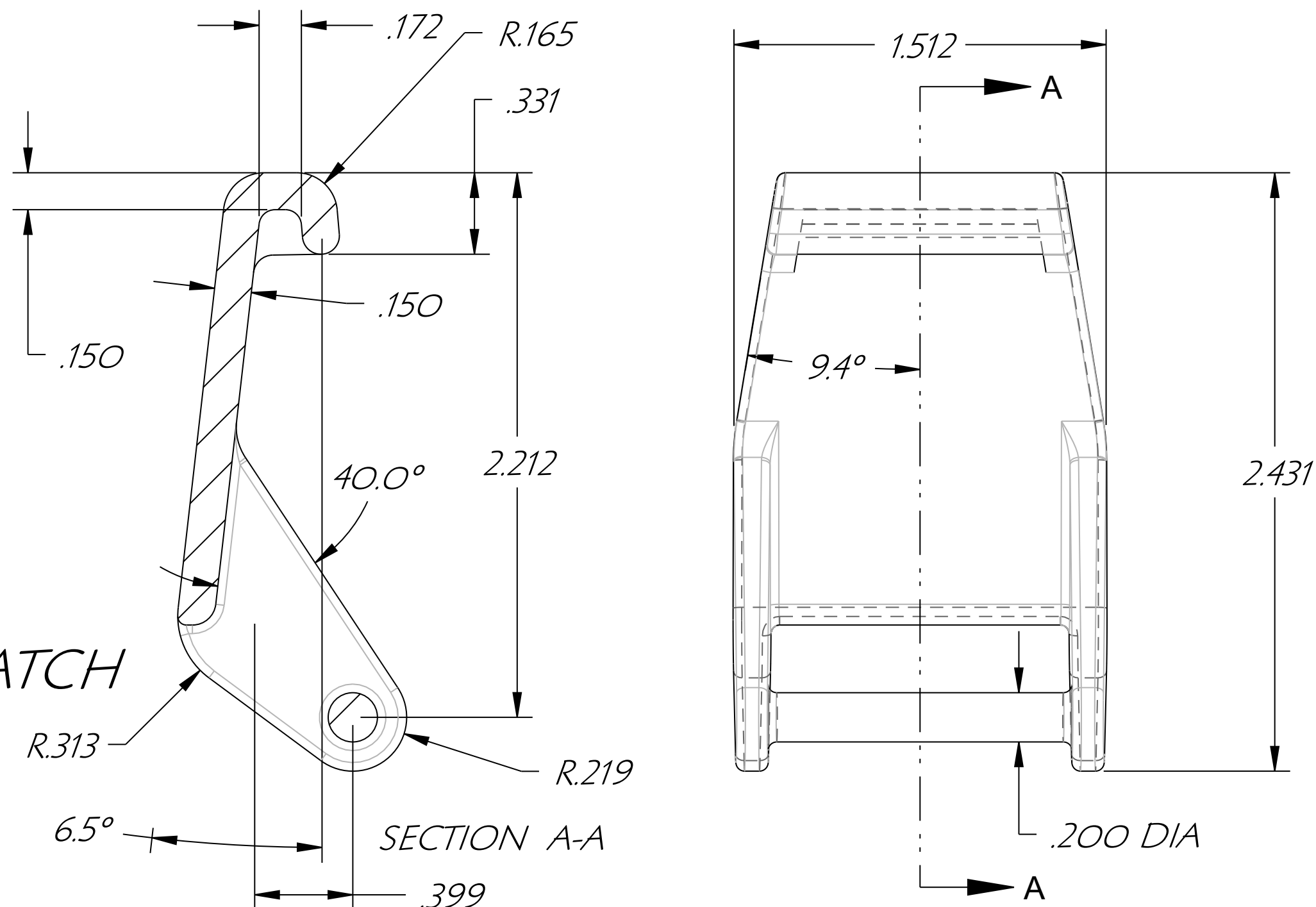
PLUG



LOWER LATCH



UPPER LATCH



DES. C.R.W. DRN. C.R.W. CHKD.	ATTABOX		CUSTOMER
APP. DATE 10/16/07 SCALE	PART NAME ENCLOSURE & LID	PART NO.	PART MAT'L POLYCARBONATE
TOLERANCES: 2 PLACE DEC. .010 FRACTIONAL	TOOL DESC. SINGLE CAVITY INJECTION MOLD	SHRINK .006/IN.	SHEET OF
UNLESS OTHERWISE SHOWN 3 PLACE DEC. .005 ± 1/64			