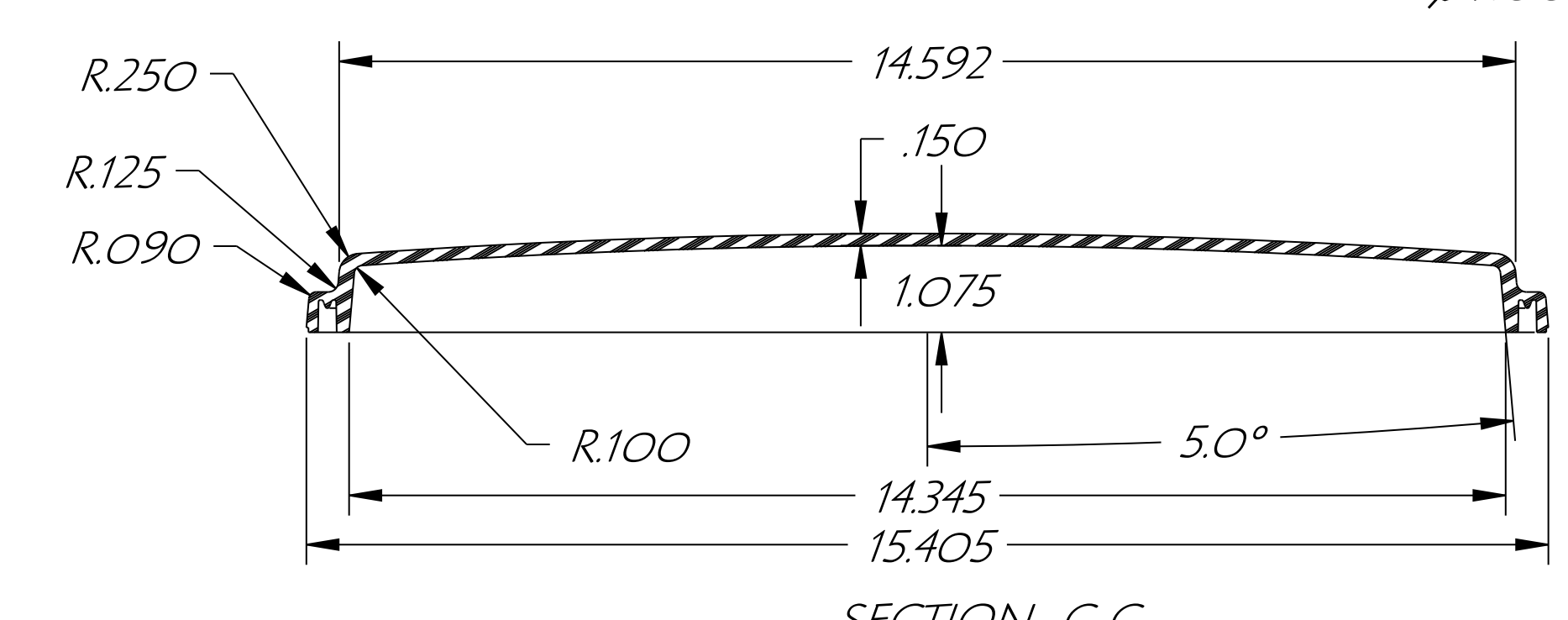
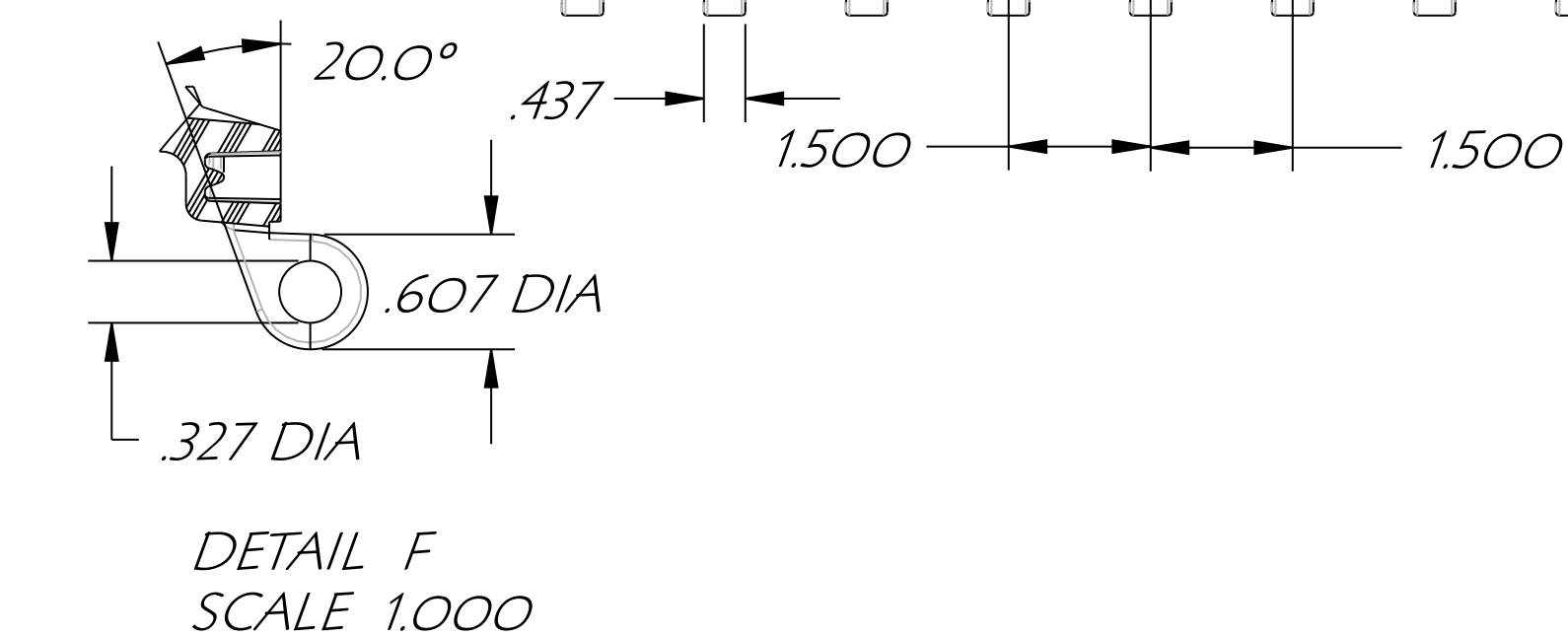
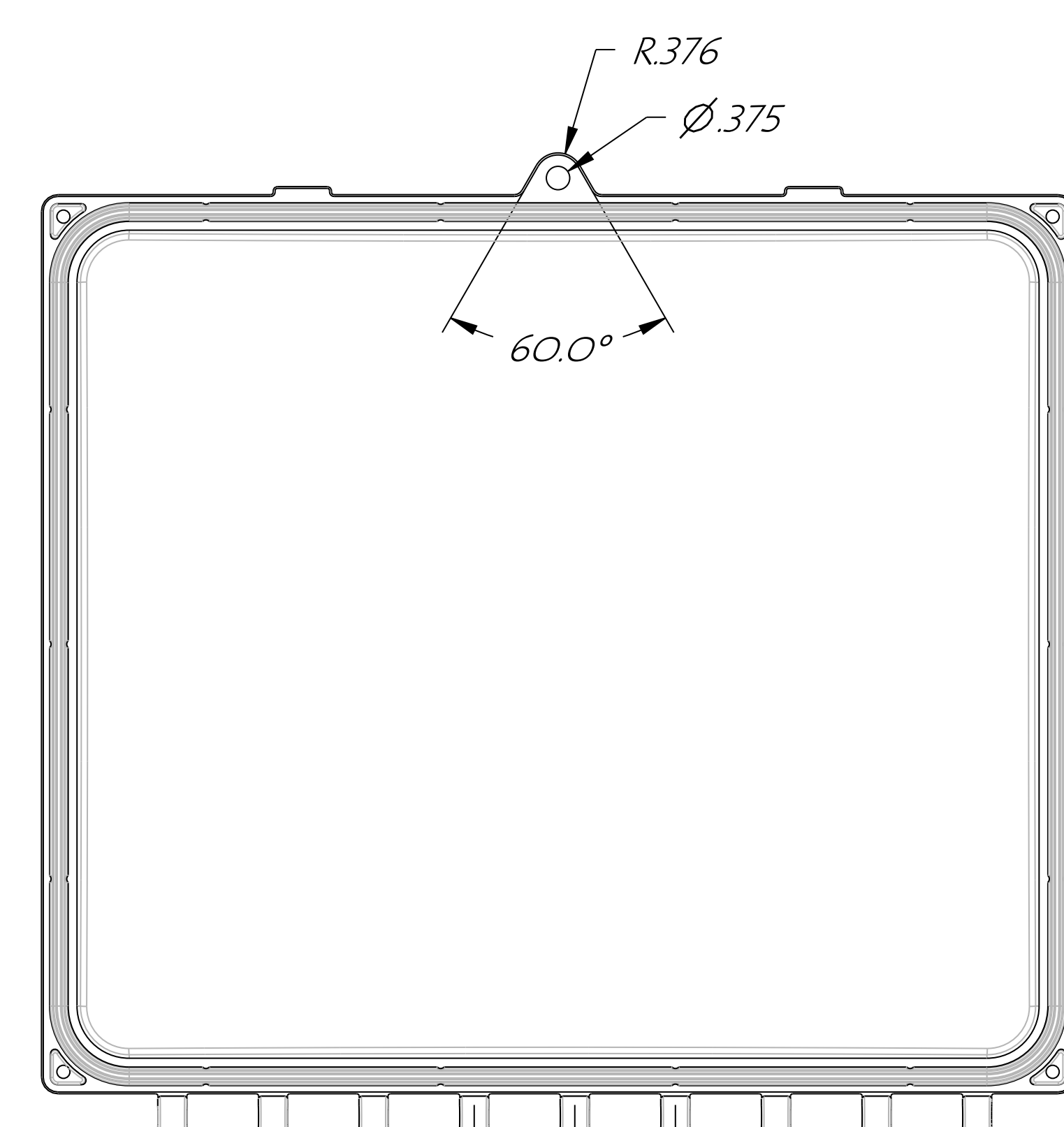
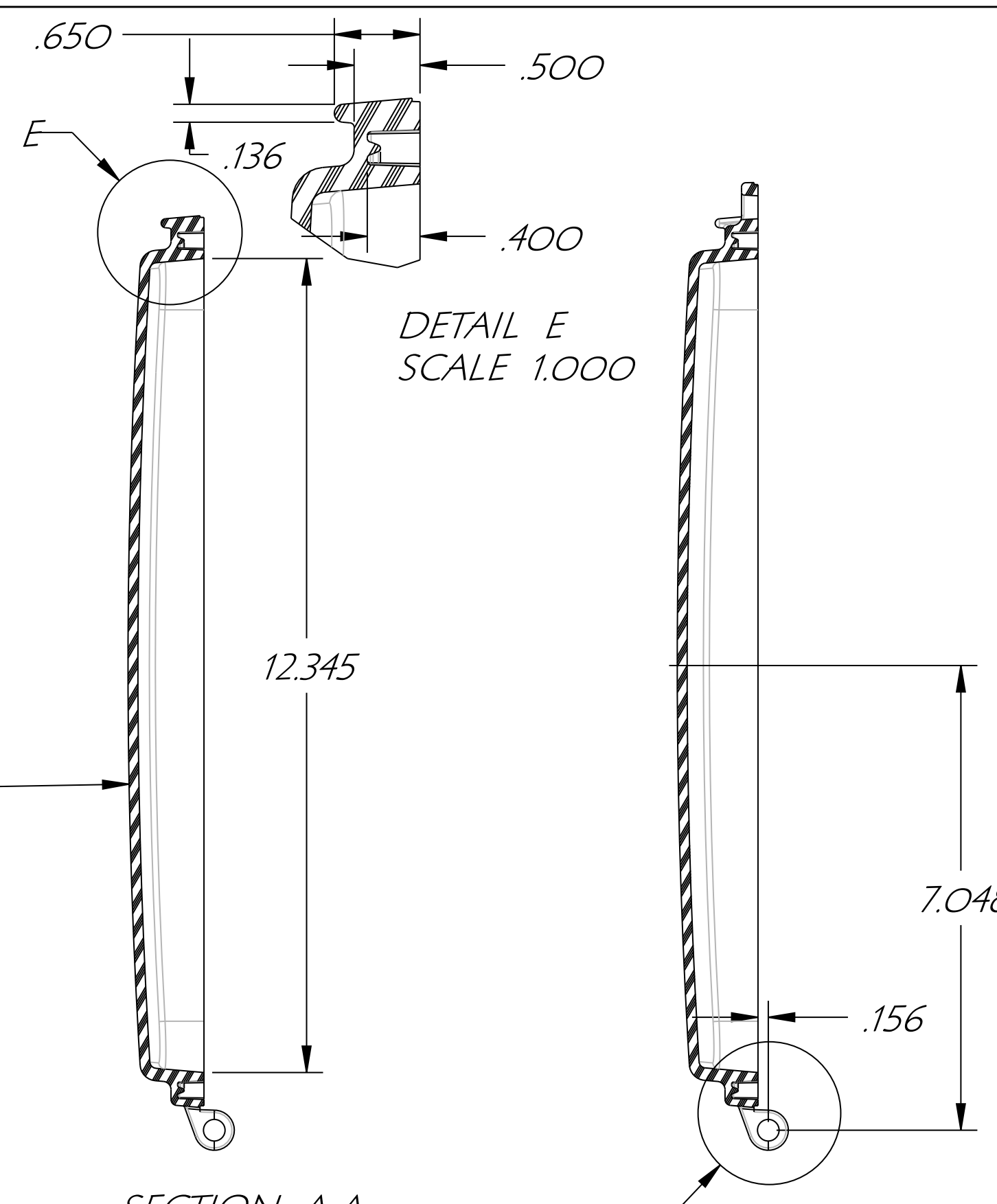
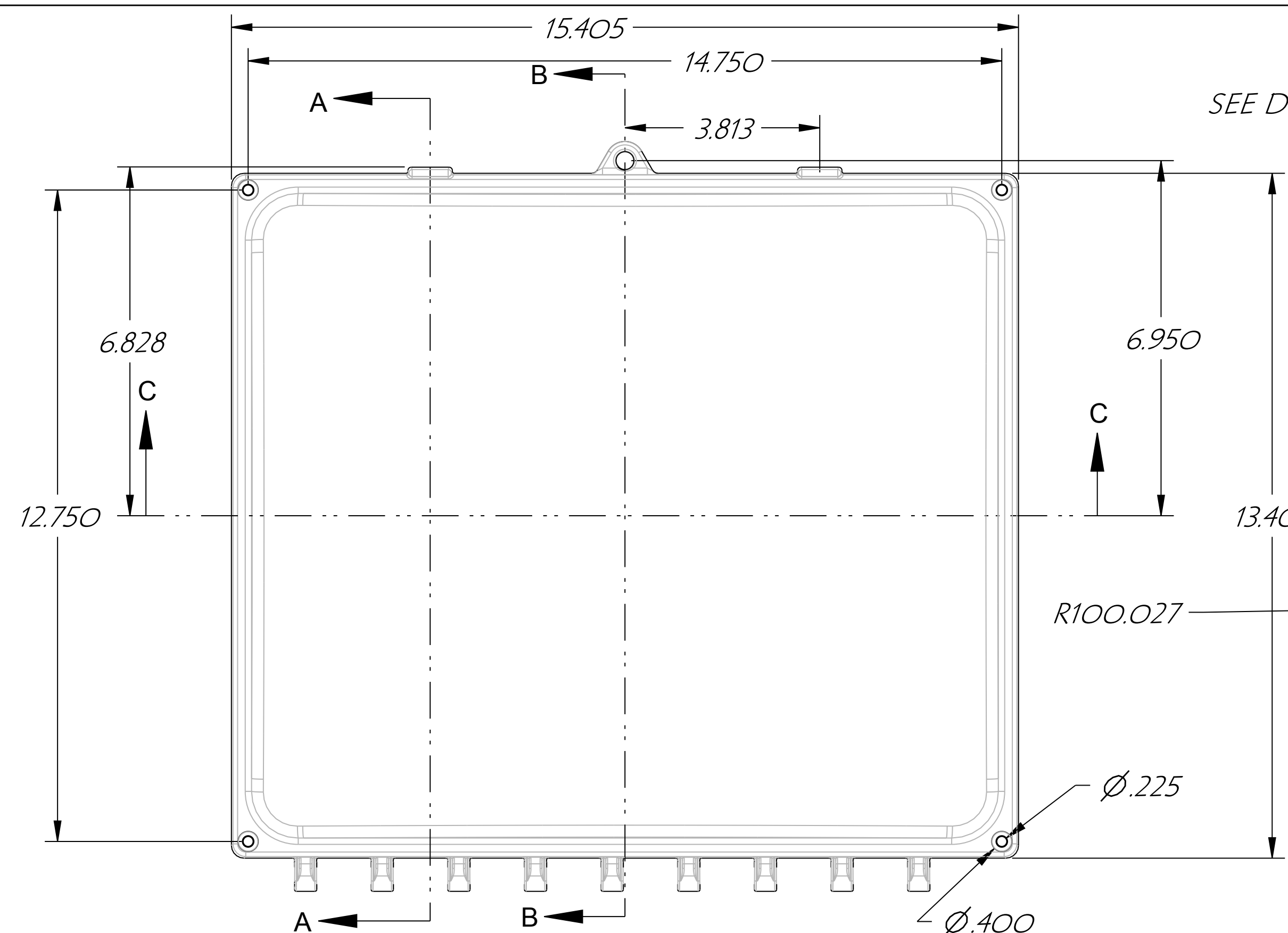
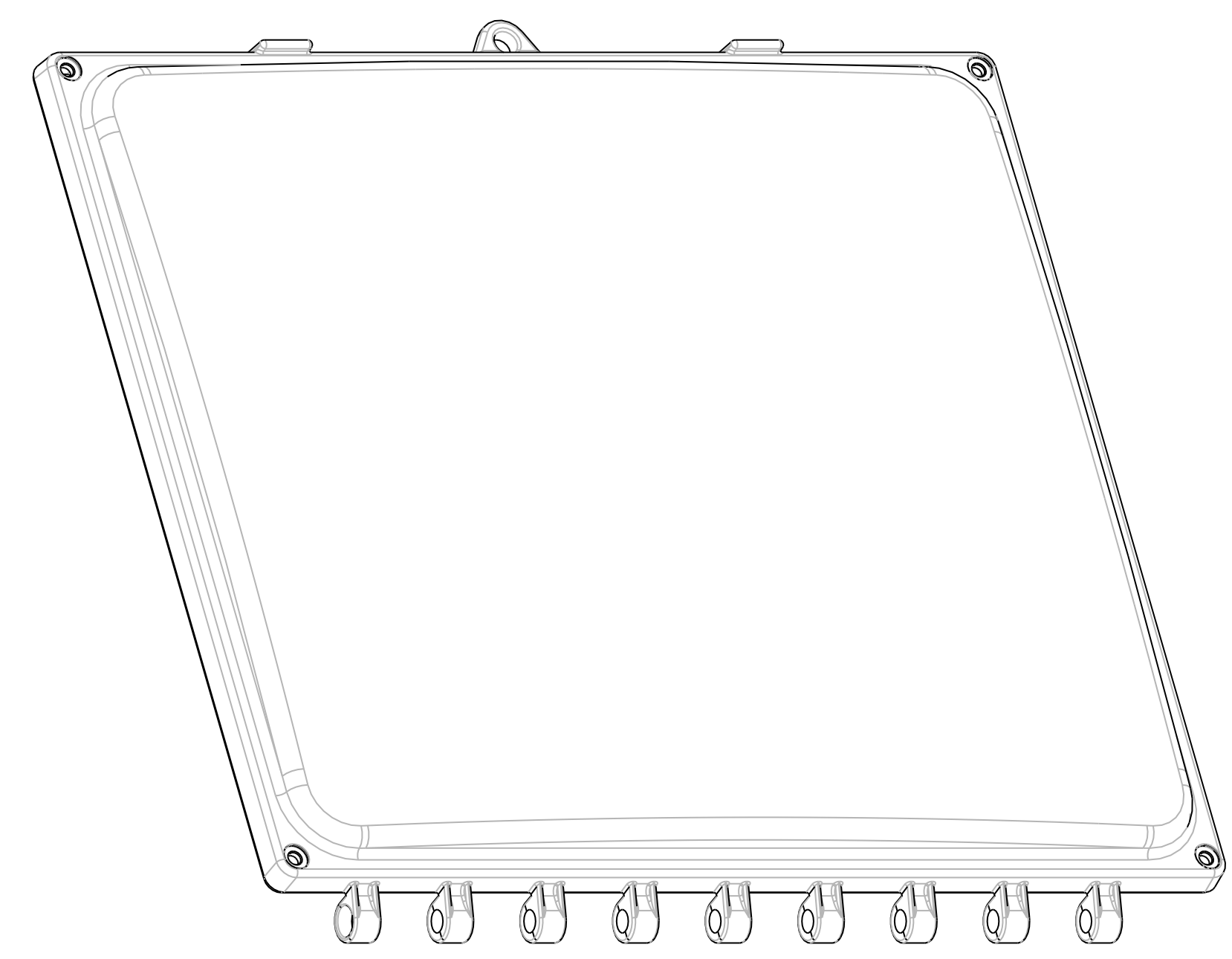
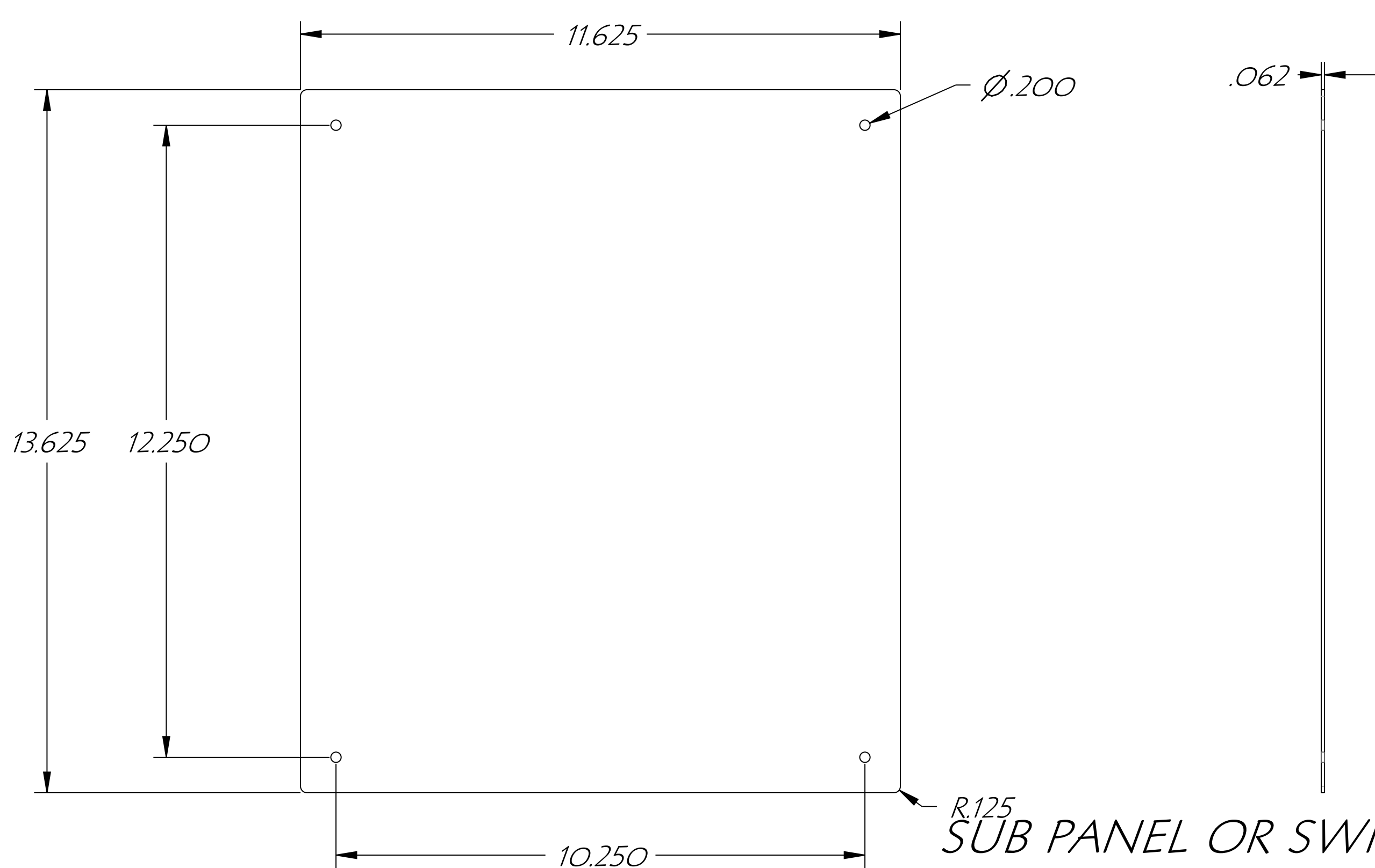


14 X 12 ENCLOSURE

DES. C.R.W. DRN. C.R.W. CHKD.	ATTABOX		CUSTOMER	
APP. DATE 10/16/07 SCALE				
TOLERANCES: 2 PLACE DEC. 010 FRACTIONAL	PART NAME ENCLOSURE & LID	PART NO.	PART MAT'L POLYCARBONATE	
UNLESS OTHERWISE SHOWN 3 PLACE DEC. 005 ± 1/64	TOOL DESC. SINGLE CAVITY INJECTION MOLD	SHRINK .006/IN.	SHEET	OF

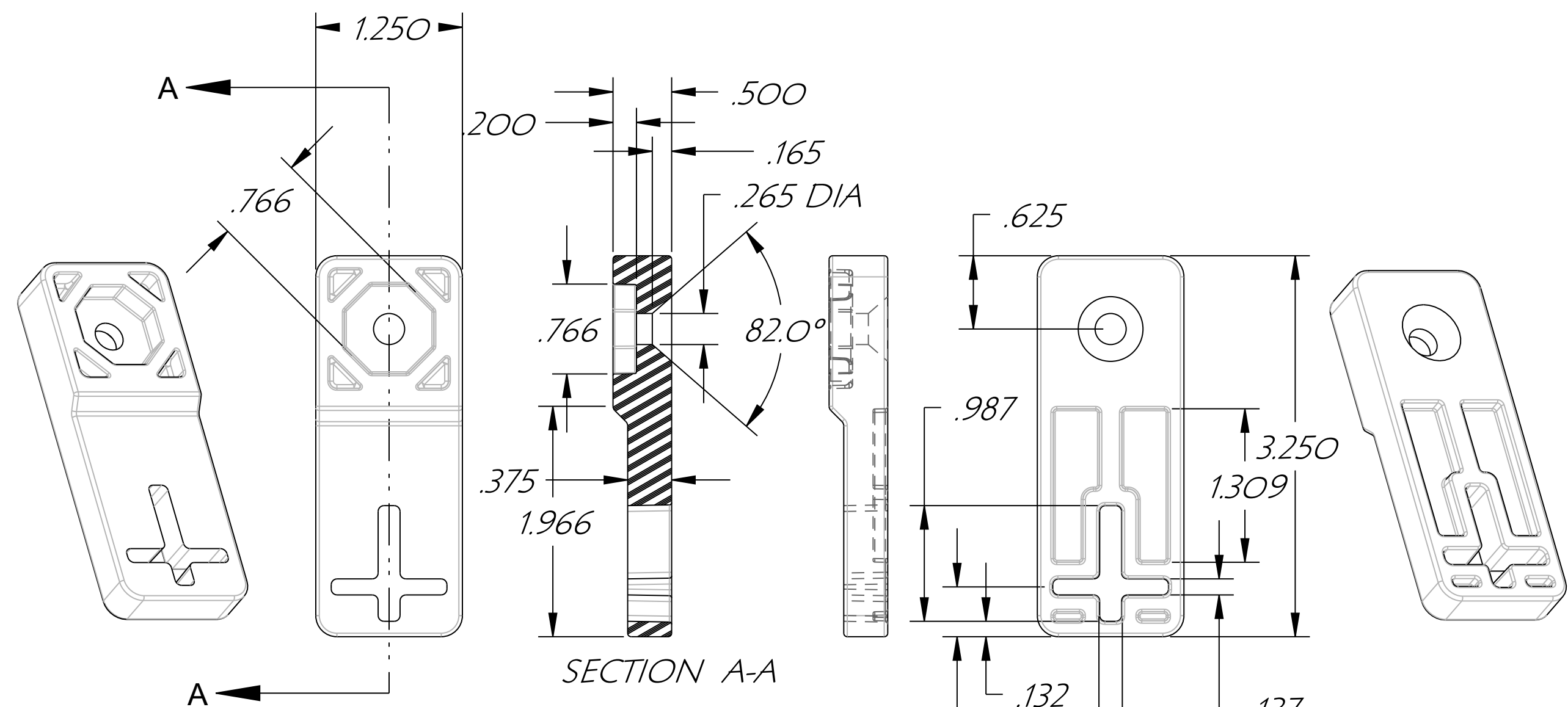


14 X 12 LID



DES. C.R.W.	DRN. C.R.W.	CHKD.			
APP. DATE 10/16/07	SCALE				CUSTOMER
TOLERANCES:		2 PLACE DEC. .010	FRAC.	PART NAME ENCLOSURE & LID	PART NO.
UNLESS OTHERWISE SHOWN		3 PLACE DEC. .005	± 1/64	TOOL DESC. SINGLE CAVITY INJECTION MOLD	PART MAT'L POLYCARBONATE
		4 PLACE DEC. .0005			SHRINK .006/IN. SHEET OF

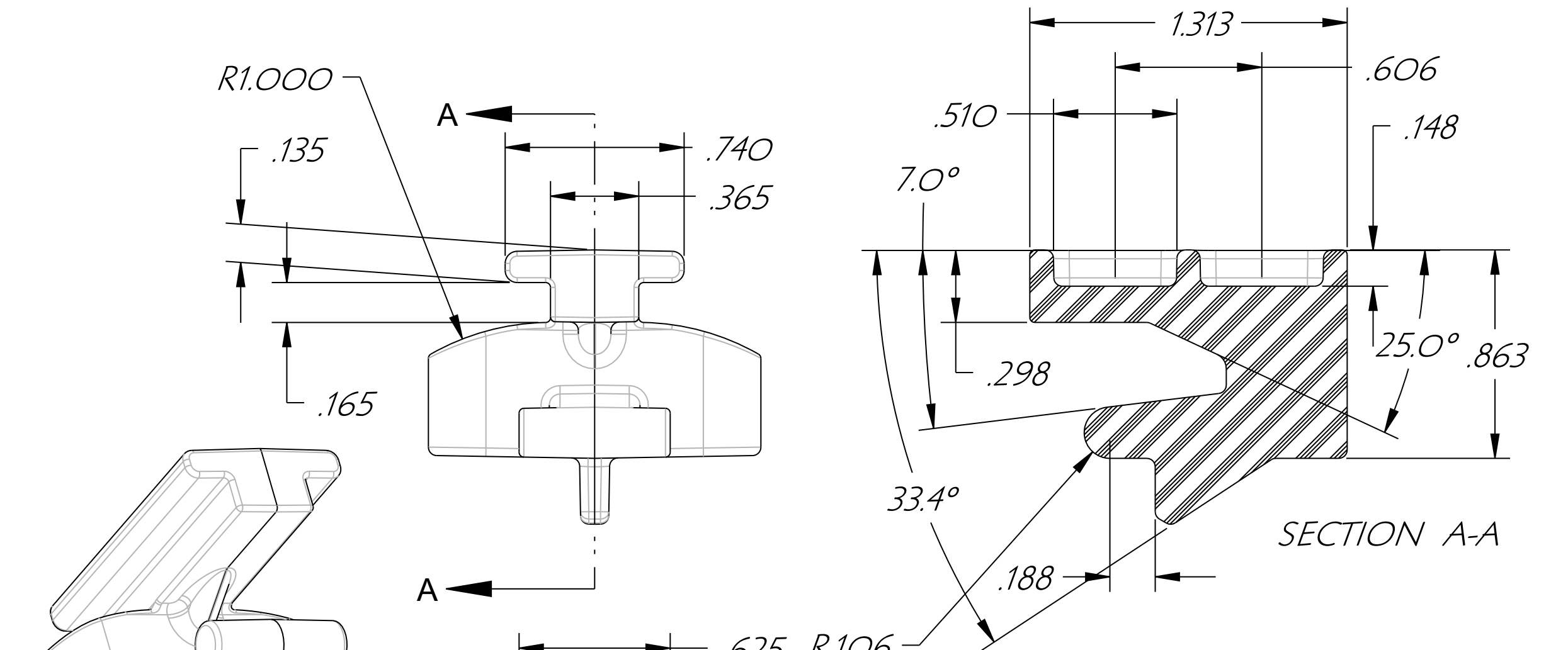
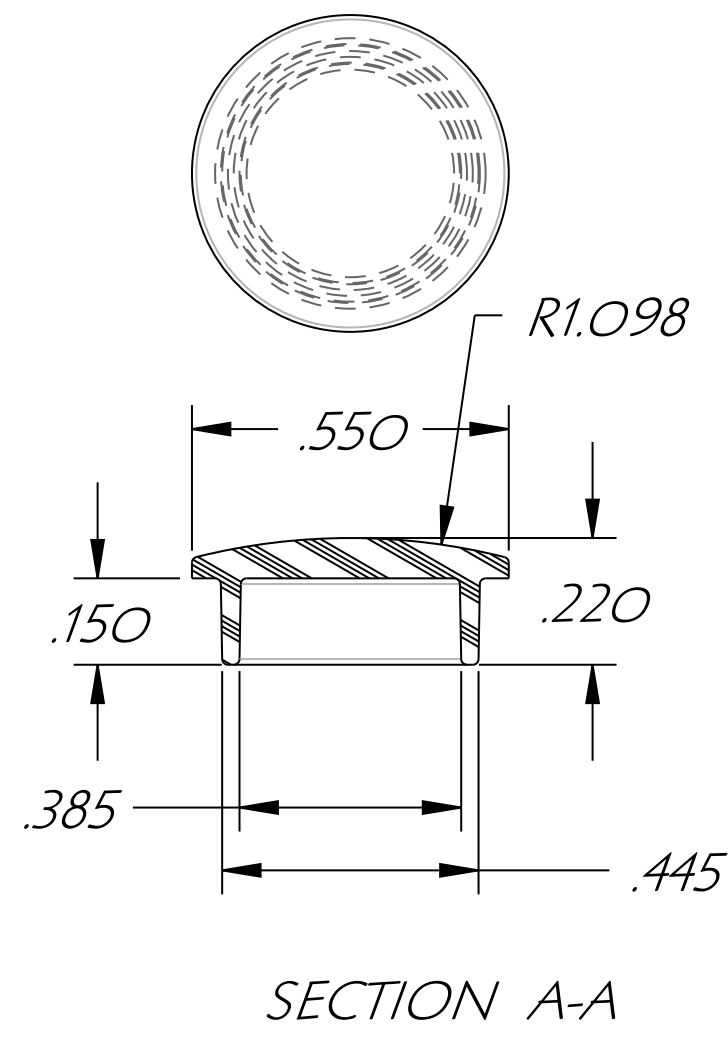




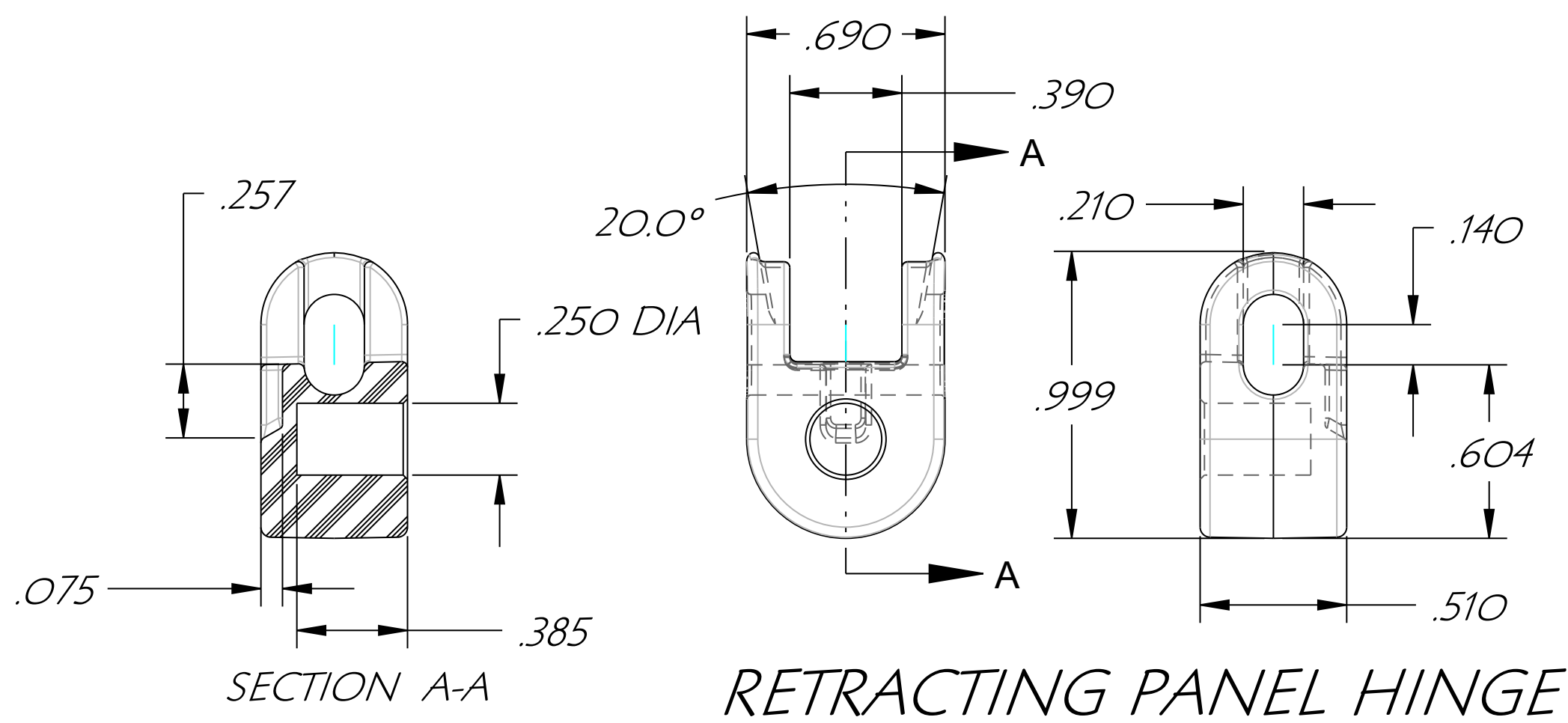
ADJUSTABLE FOOT MOUNT



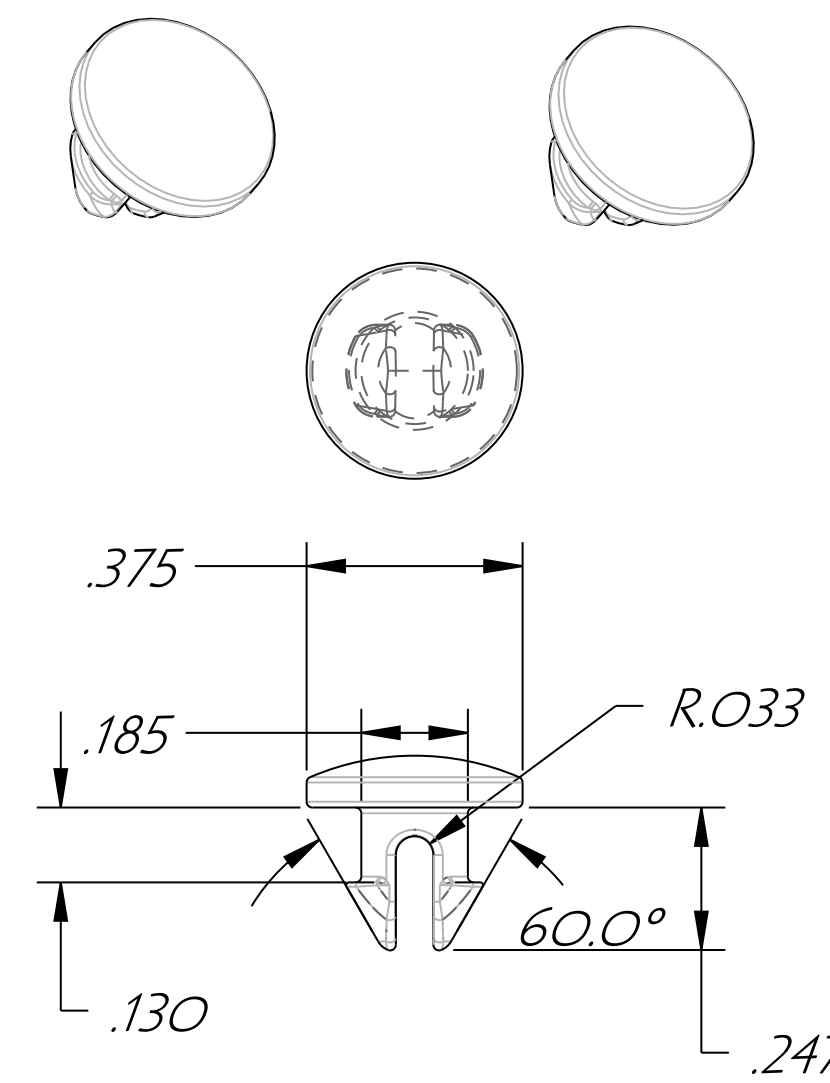
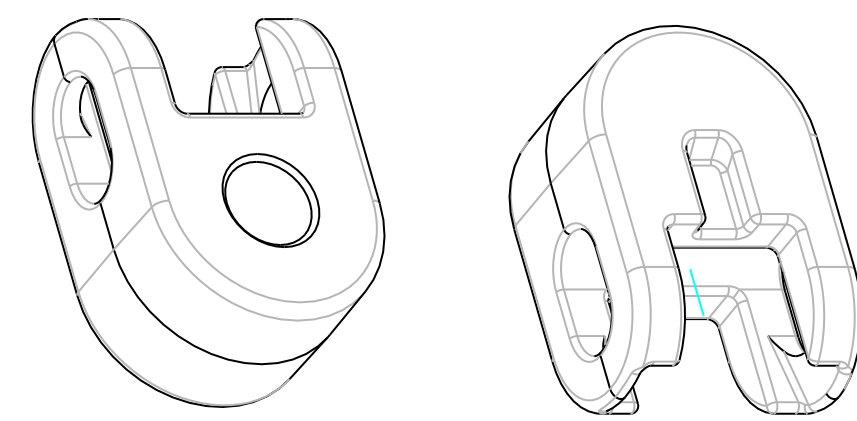
LID HINGE CAP



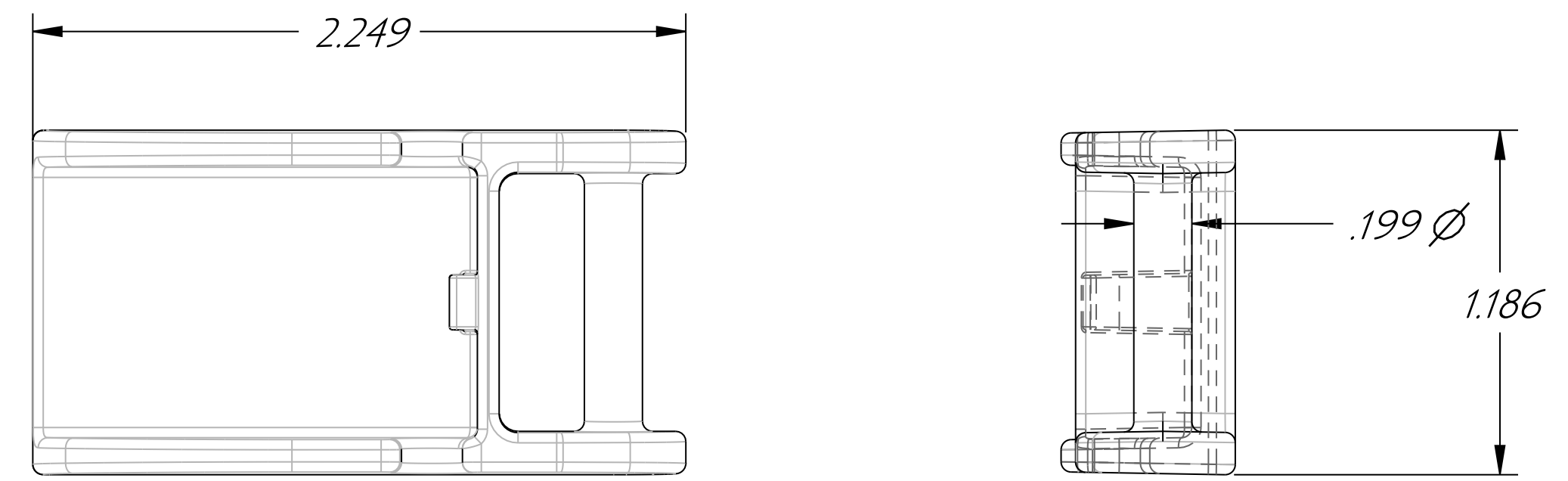
FLUSH PANEL MOUNT



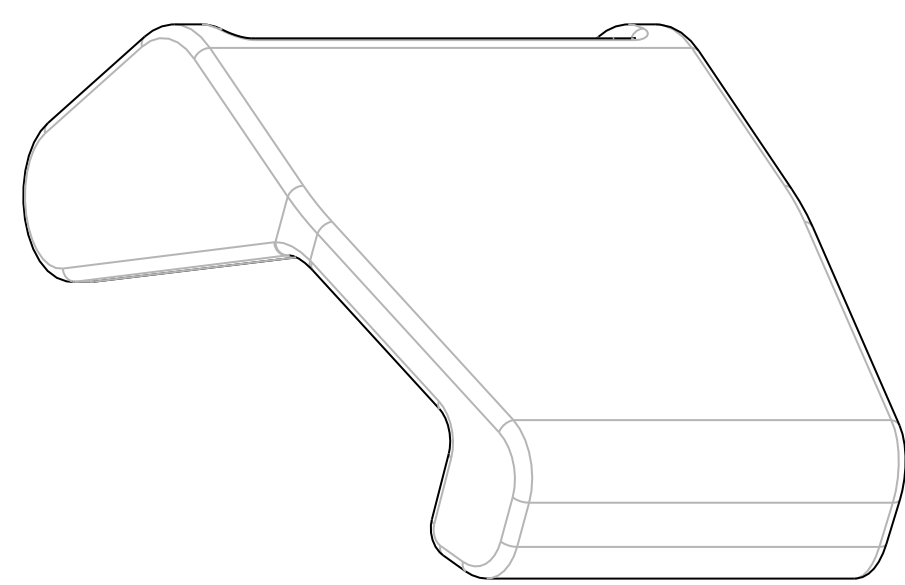
RETRACTING PANEL HINGE



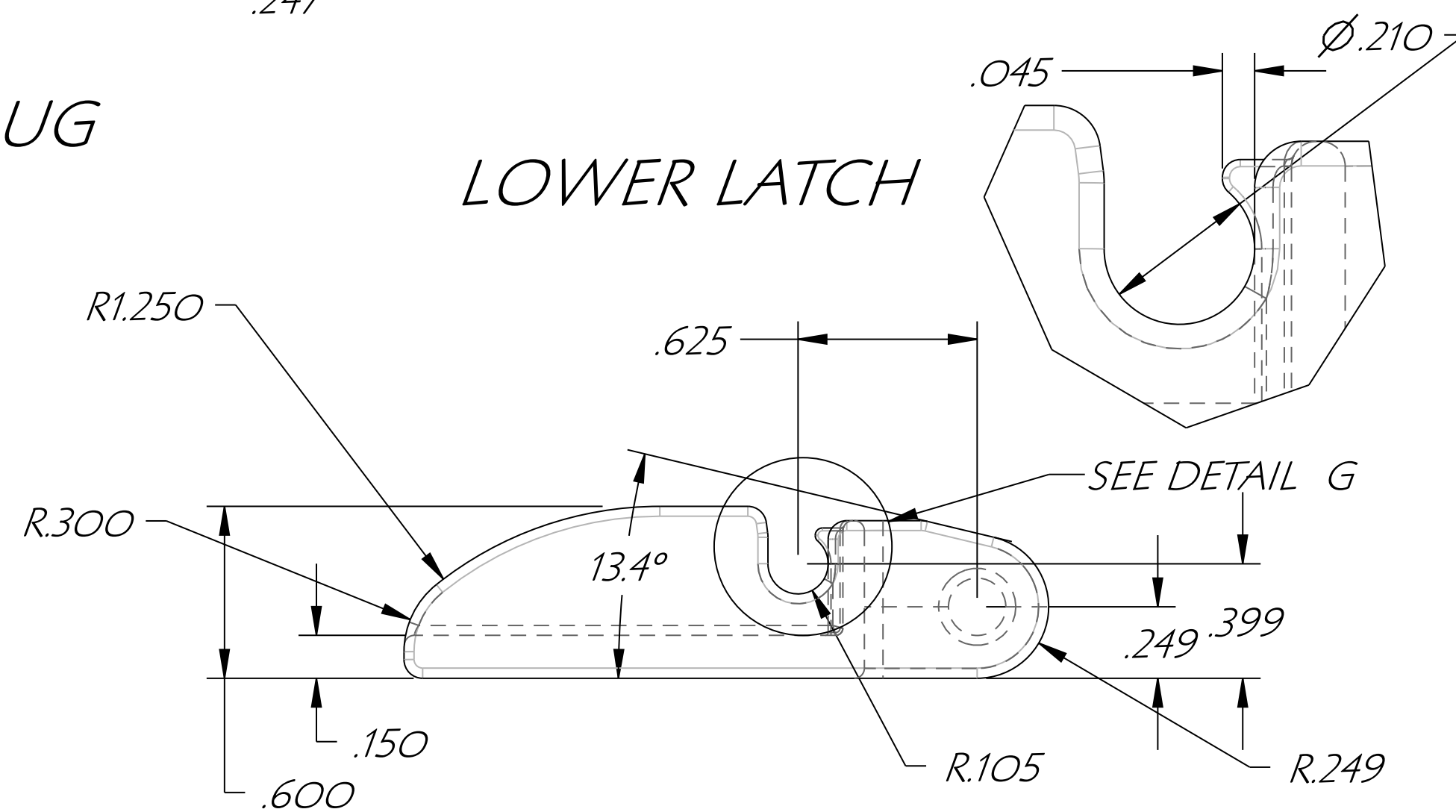
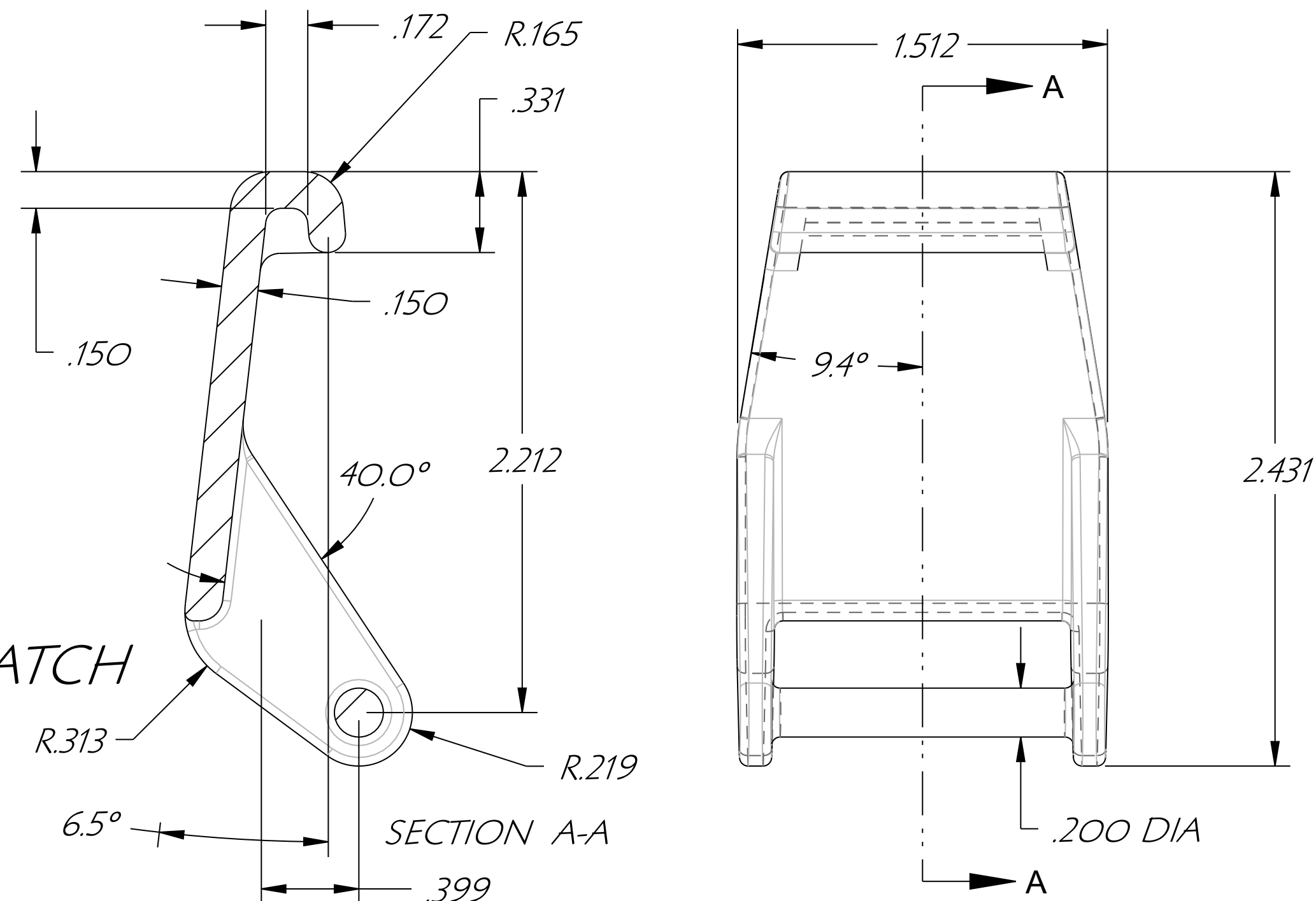
PLUG



LOWER LATCH



UPPER LATCH



DES. C.R.W. DRN. C.R.W. CHKD.	ATTABOX		CUSTOMER
APP. DATE 10/16/07 SCALE	PART NAME ENCLOSURE & LID	PART NO.	PART MAT'L POLYCARBONATE
TOLERANCES: 2 PLACE DEC. .010 FRACTIONAL	TOOL DESC. SINGLE CAVITY INJECTION MOLD	SHRINK .006/IN.	SHEET OF
UNLESS OTHERWISE SHOWN 3 PLACE DEC. .005 ± 1/64			