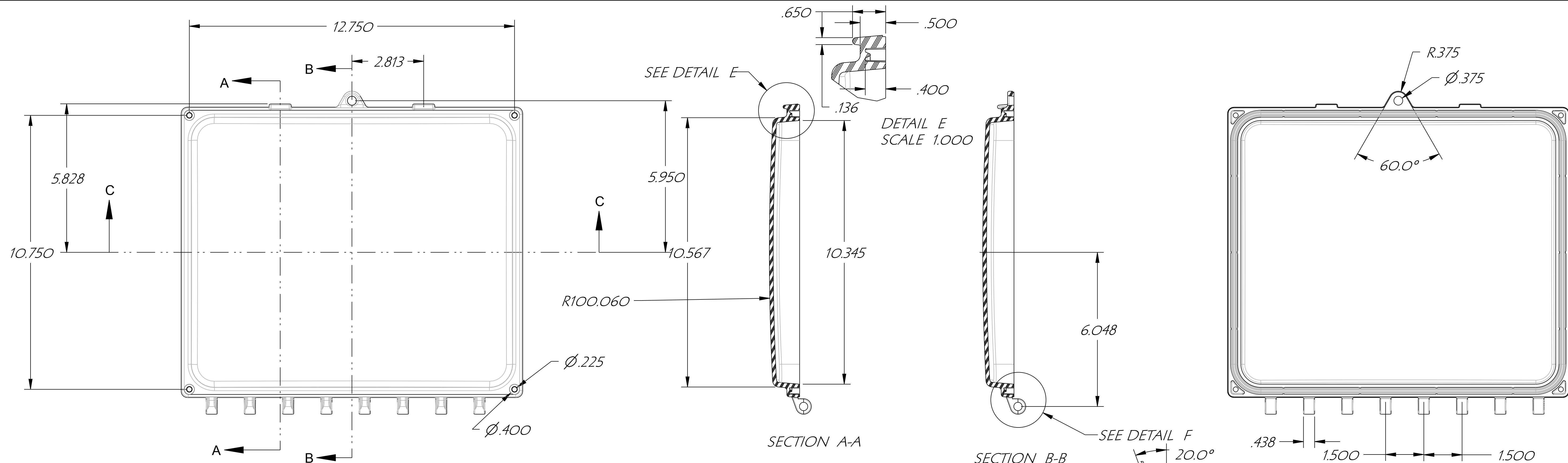
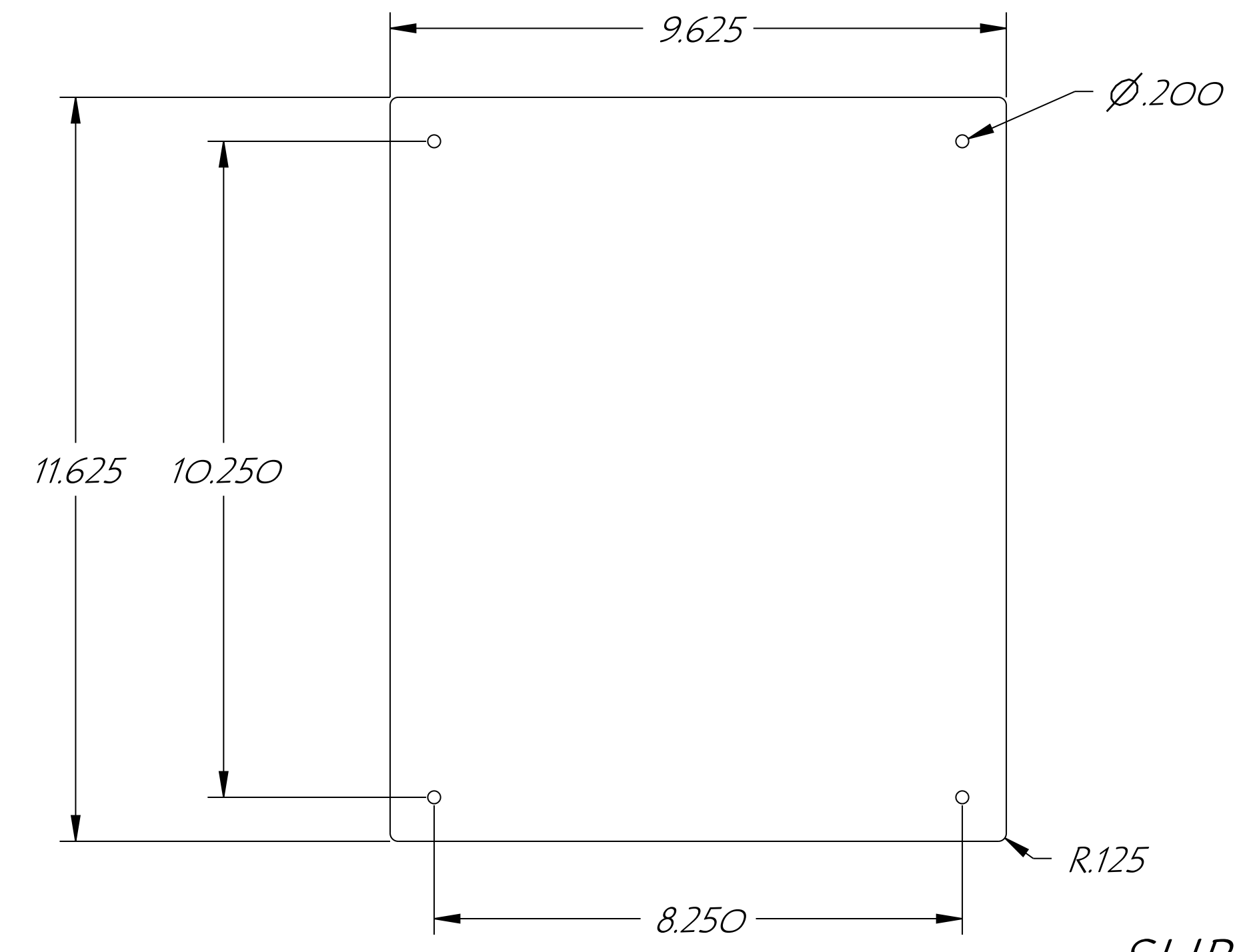
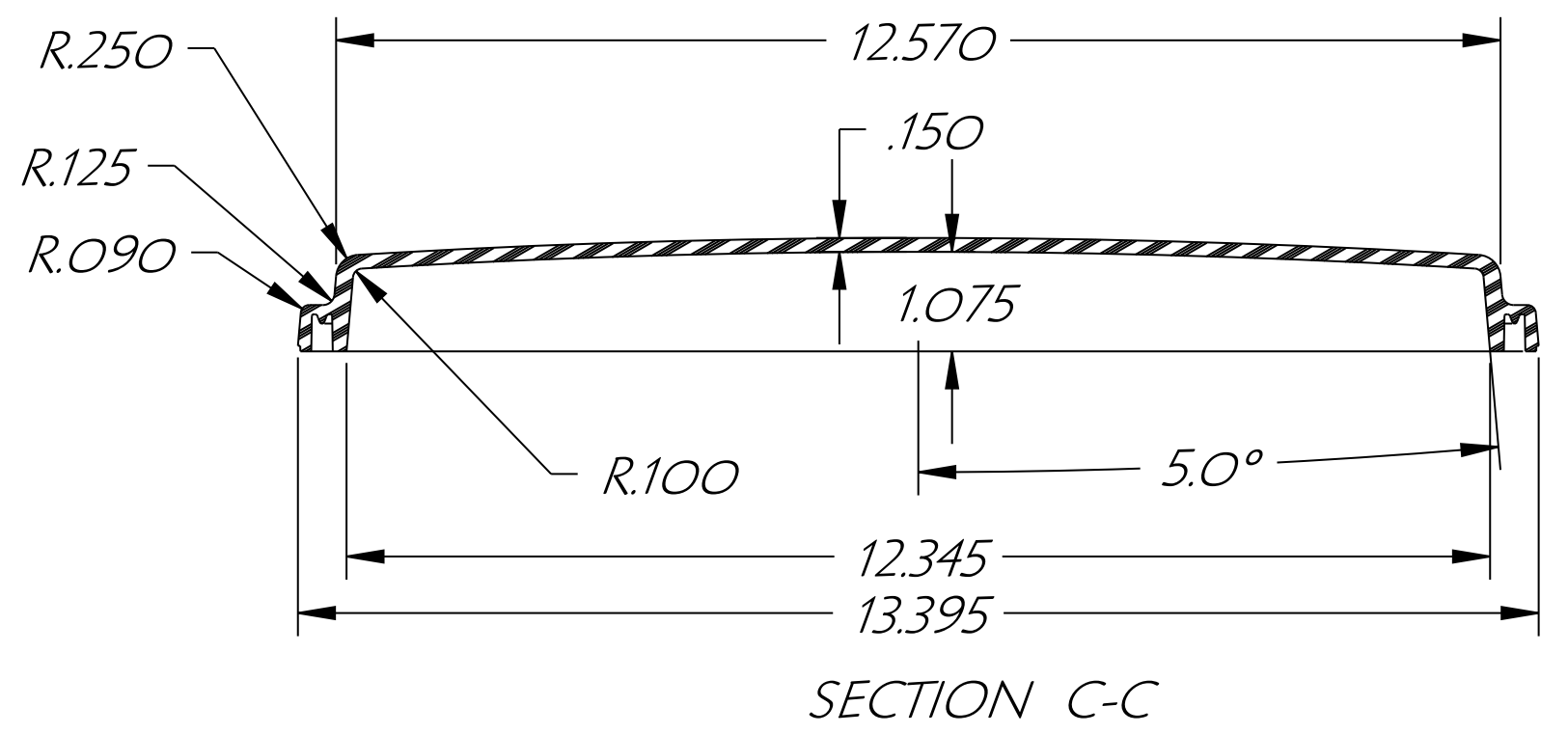


12 X 10 ENCLOSURE

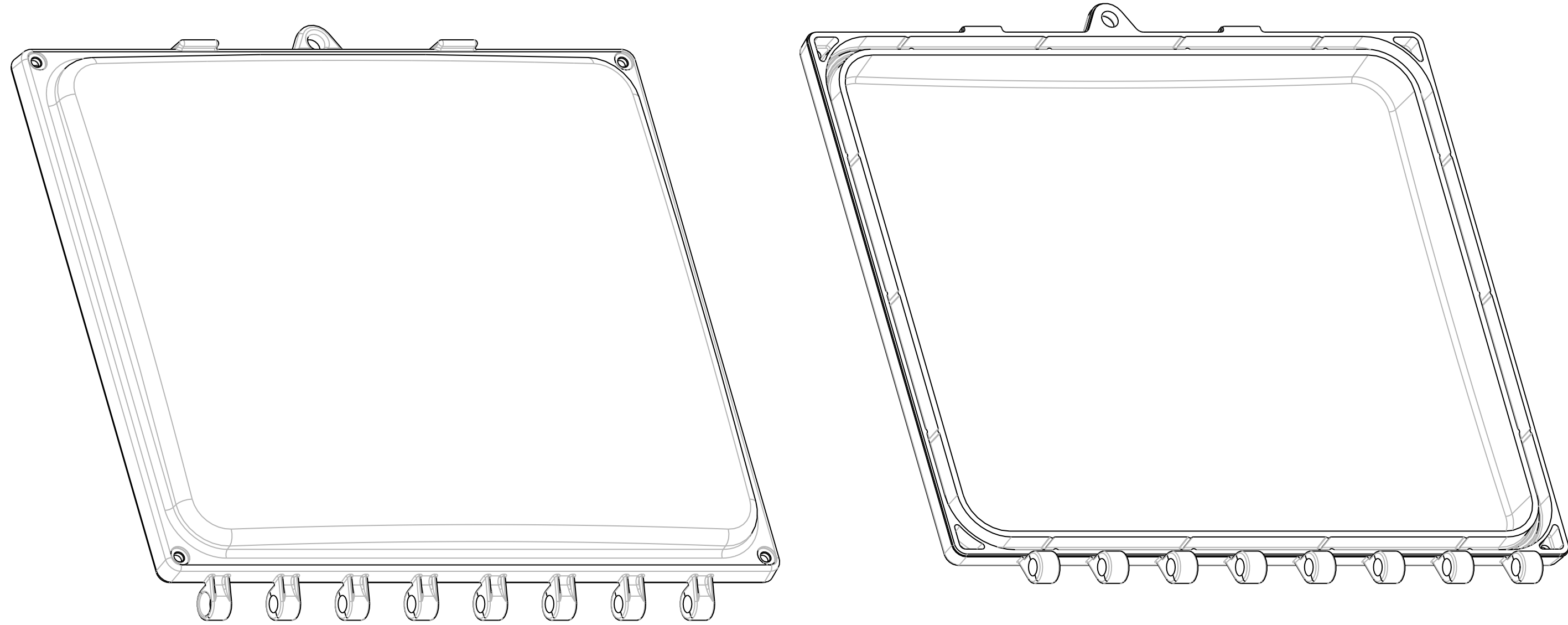
DES. C.R.W. DRN. C.R.W. CHKD.	ATTABOX		CUSTOMER		
APP. DATE 10/16/07 SCALE					
TOLERANCES: UNLESS OTHERWISE SHOWN	2 PLACE DEC. 010 3 PLACE DEC. 005 4 PLACE DEC. 0005 ± 1/64	FRAC.	PART NAME ENCLOSURE & LID	PART NO.	PART MAT'L POLYCARBONATE
			TOOL DESC. SINGLE CAVITY INJECTION MOLD	SHRINK .006/IN.	SHEET OF



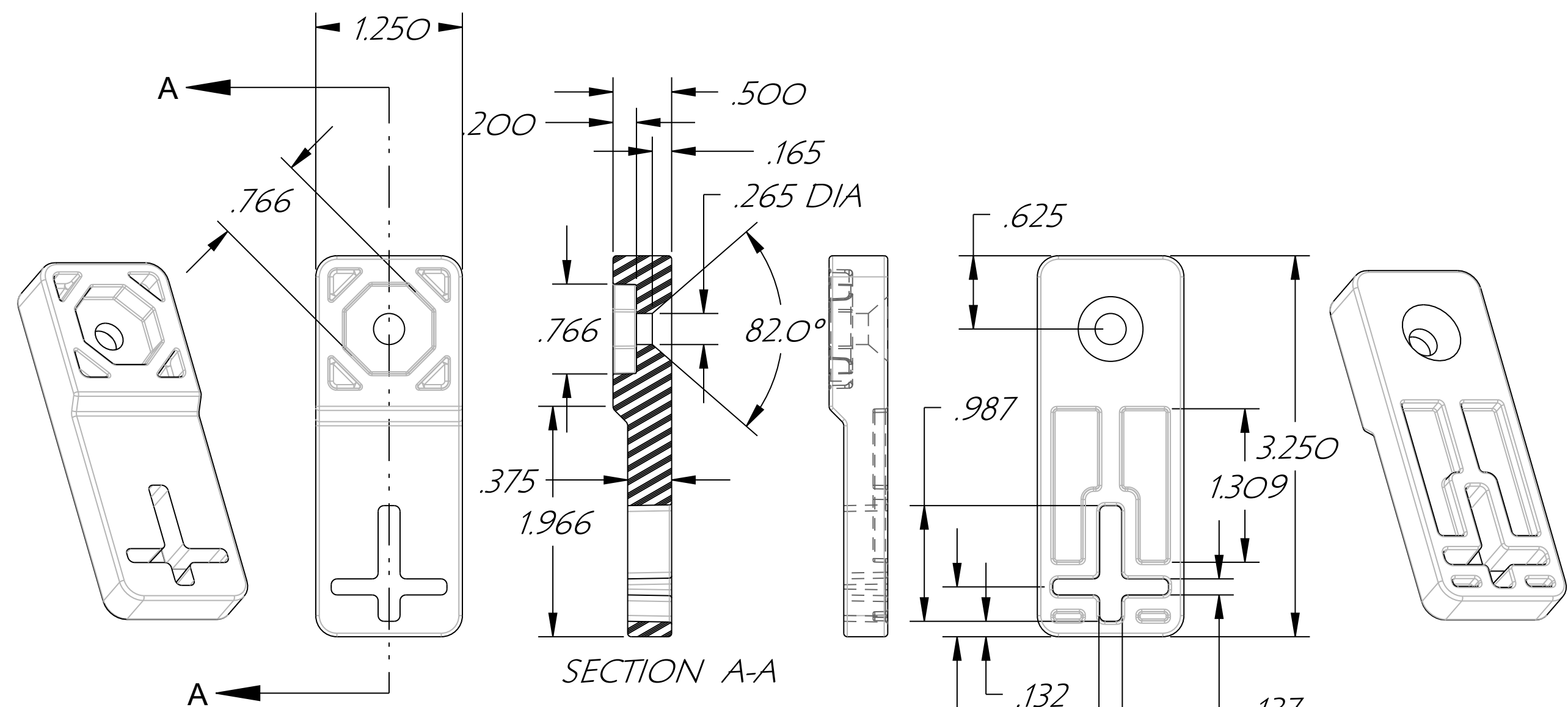
12 X 10 LID



SUB PANEL OR SWING PANEL



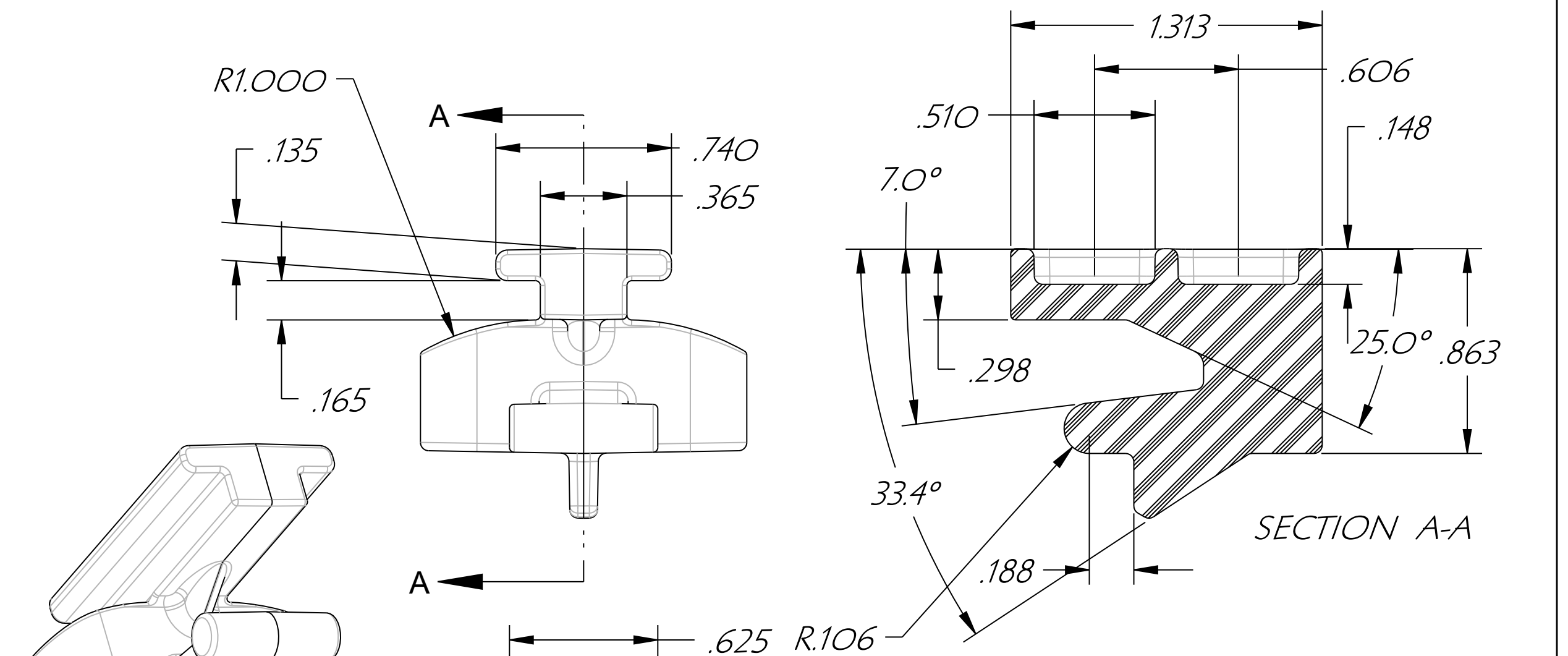
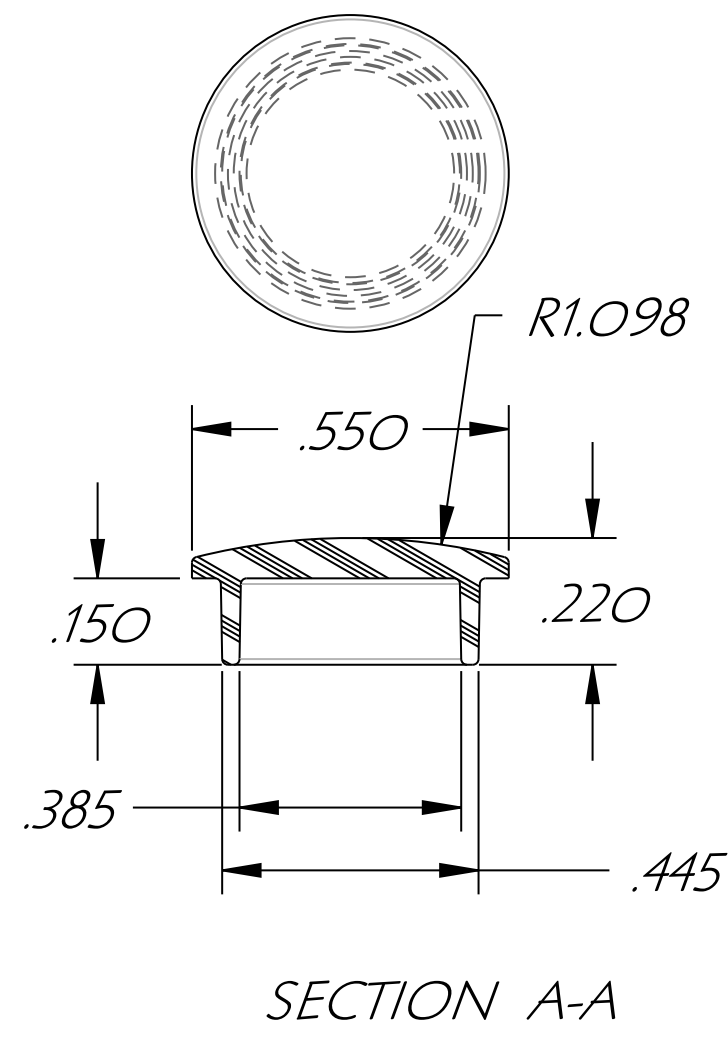
DES. C.R.W.	DRN. C.R.W.	CHKD. CHKD.	ATTABOX		CUSTOMER
APP. DATE 10/16/07	SCALE		PART NAME ENCLOSURE & LID	PART NO.	PART MAT'L POLYCARBONATE
TOLERANCES:		2 PLACE DEC. .010	TOOL DESC. SINGLE CAVITY INJECTION MOLD		SHRINK .006/IN.
UNLESS OTHERWISE SHOWN		3 PLACE DEC. .005			SHEET OF
		4 PLACE DEC. .0005			



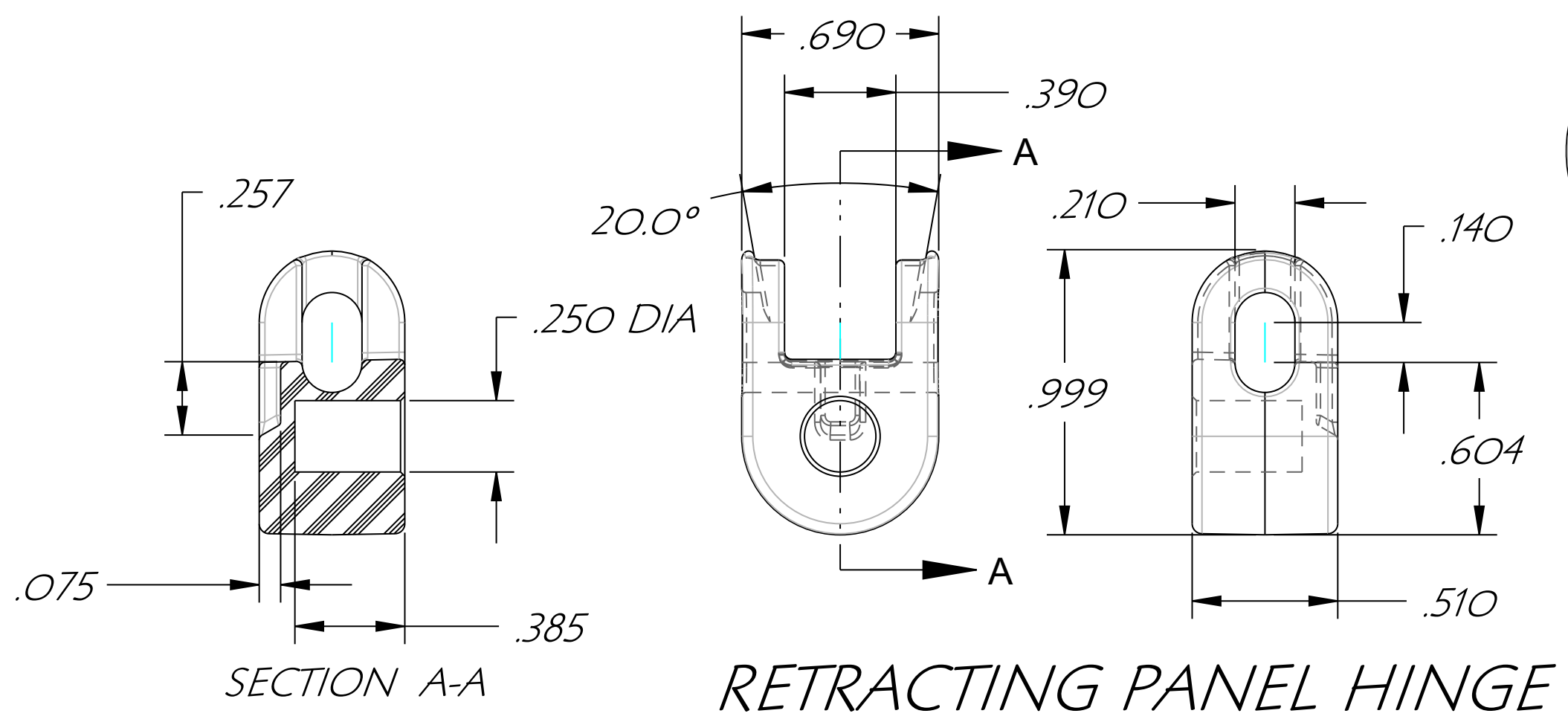
ADJUSTABLE FOOT MOUNT



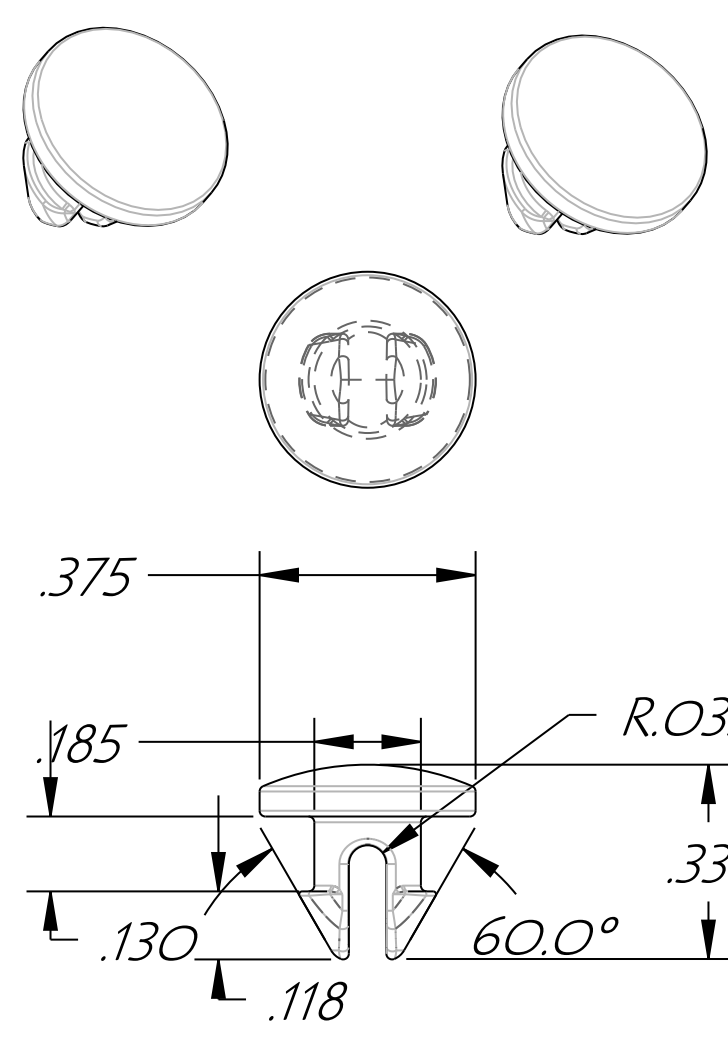
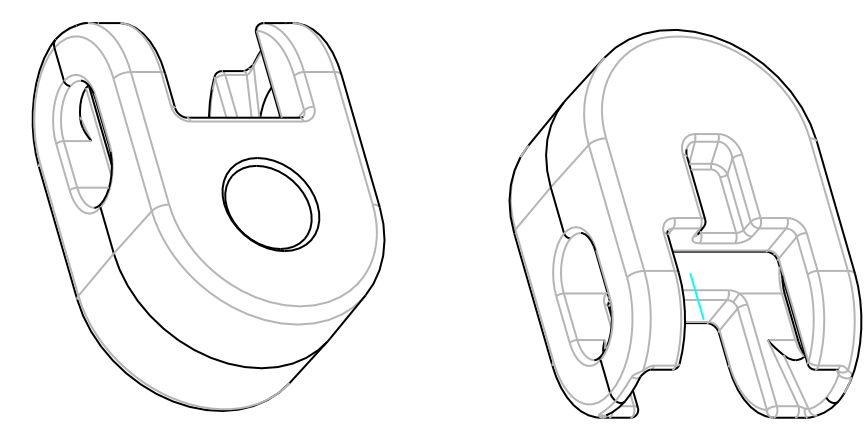
LID HINGE CAP



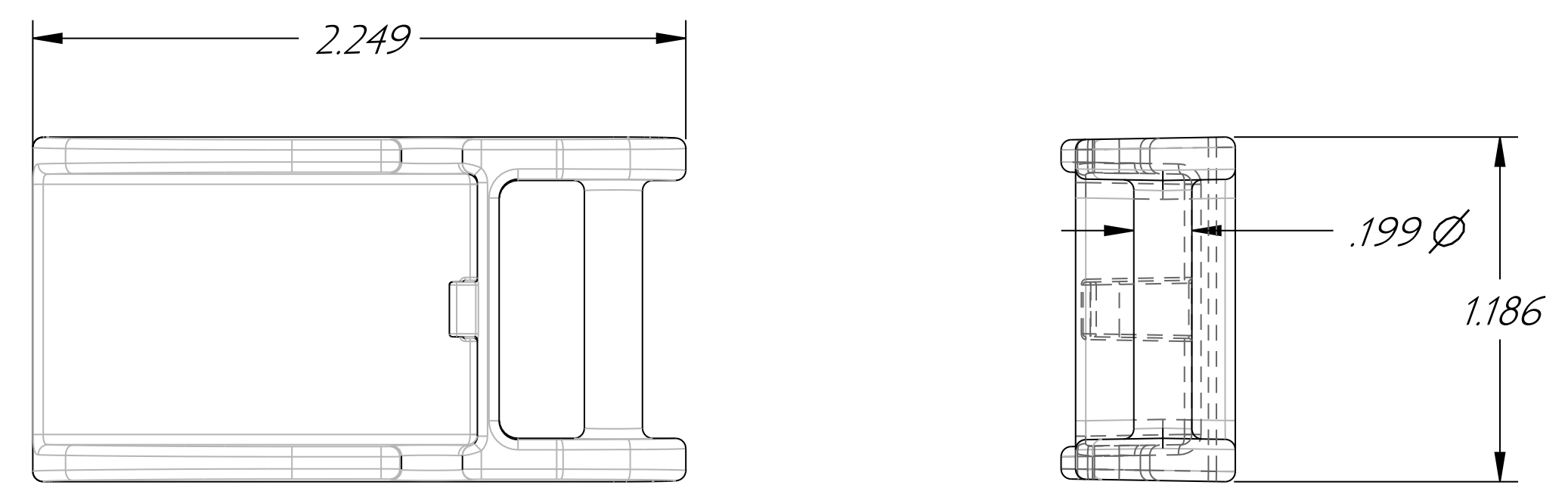
FLUSH PANEL MOUNT



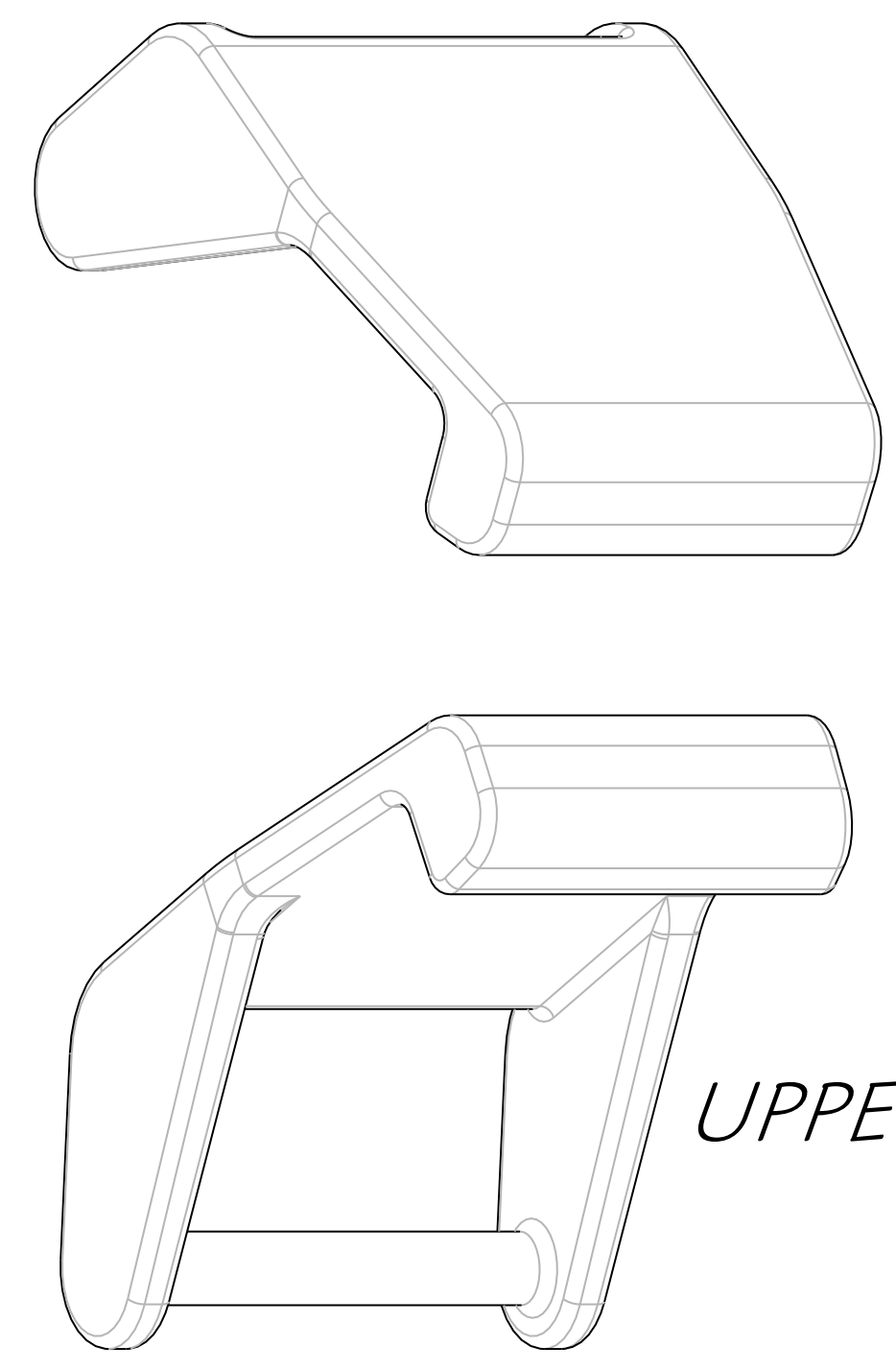
RETRACTING PANEL HINGE



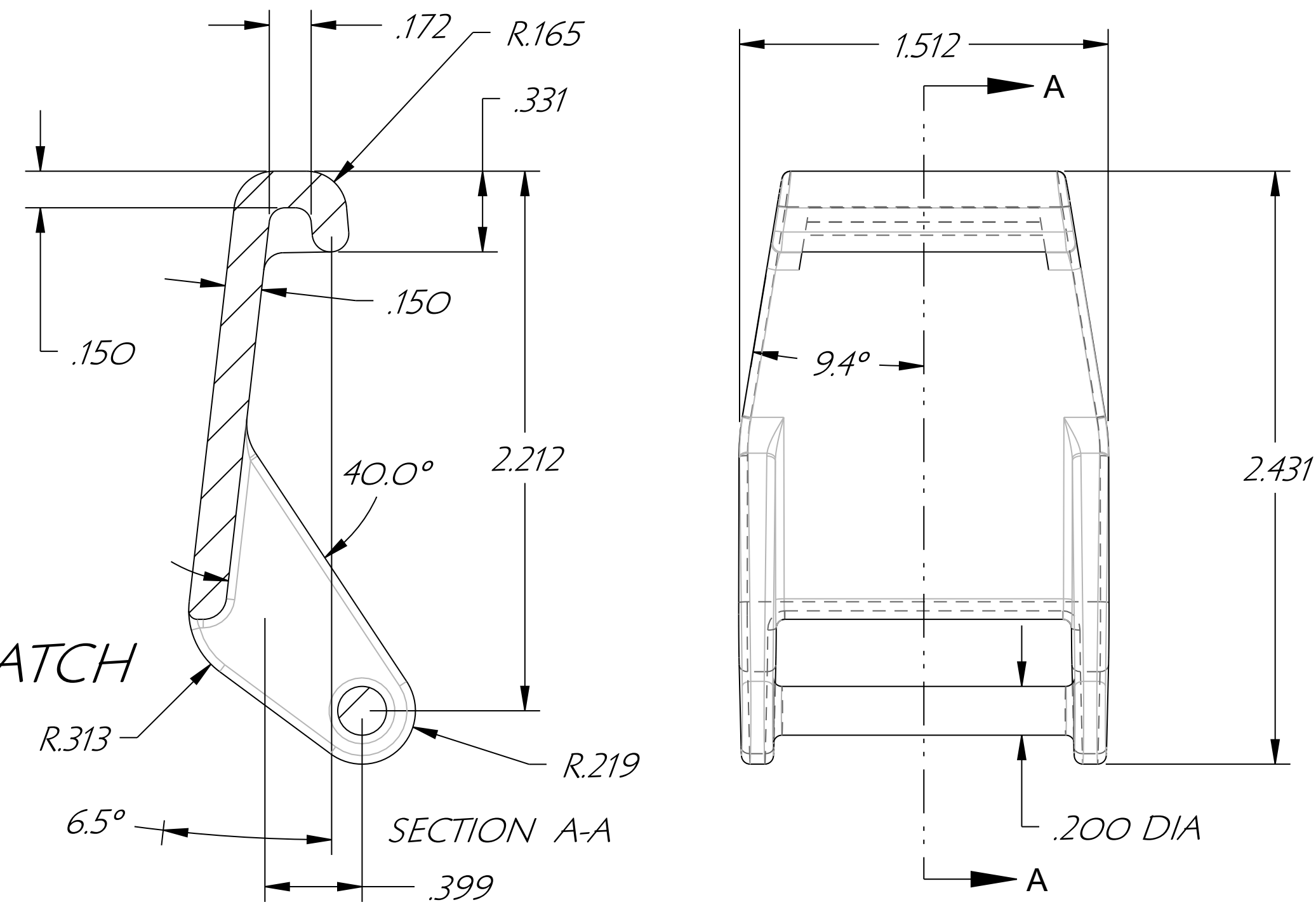
PLUG



LOWER LATCH



UPPER LATCH



DES. C.R.W.	DRN. C.R.W.	CHKD. CHKD.	ATTABOX		CUSTOMER
APP. DATE 10/16/07	SCALE	2 PLACE DEC. 010	PART NAME ENCLOSURE & LID	PART NO.	PART MAT'L POLYCARBONATE
TOLERANCES: UNLESS OTHERWISE SHOWN	3 PLACE DEC. 005	FRAC. ± 1/64	TOOL DESC. SINGLE CAVITY INJECTION MOLD	SHRINK .006/IN.	SHEET OF