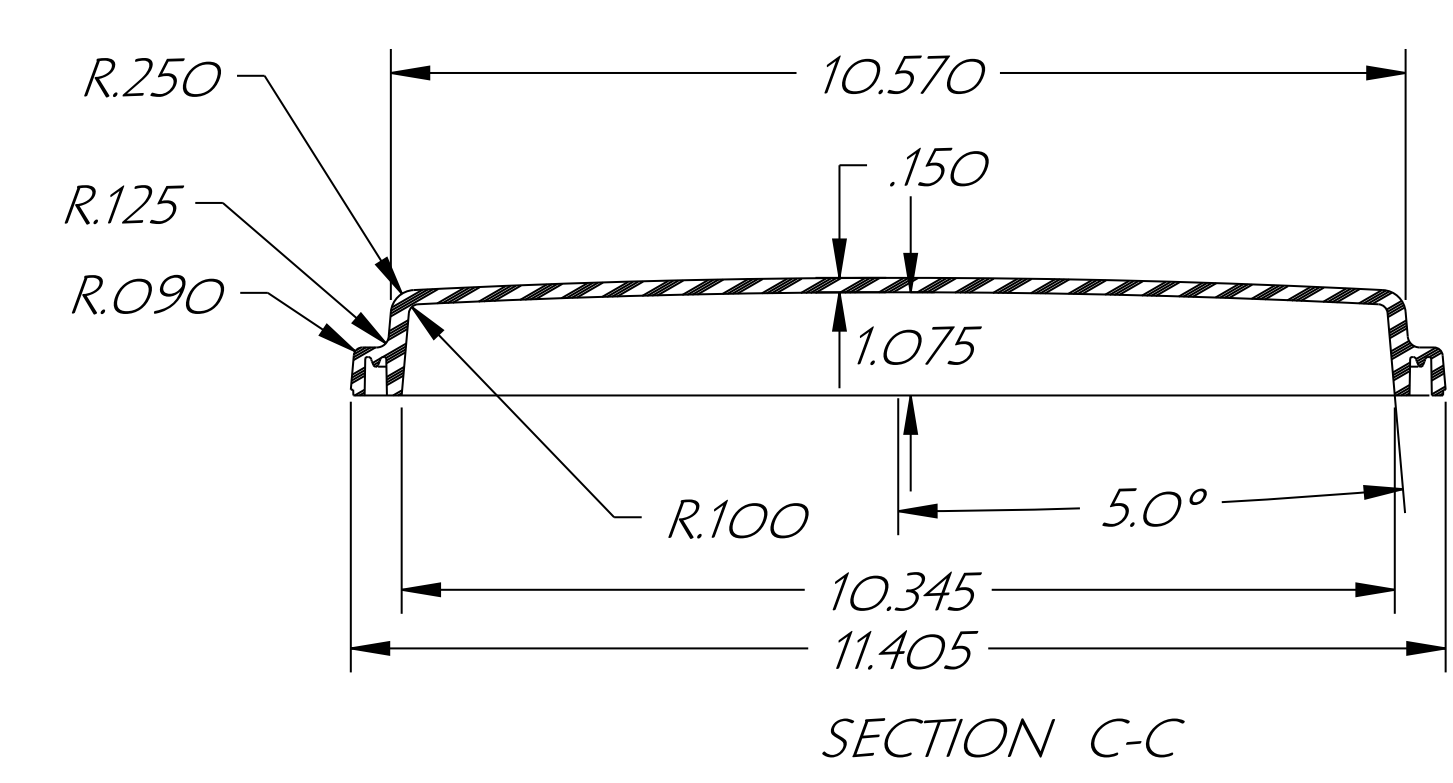
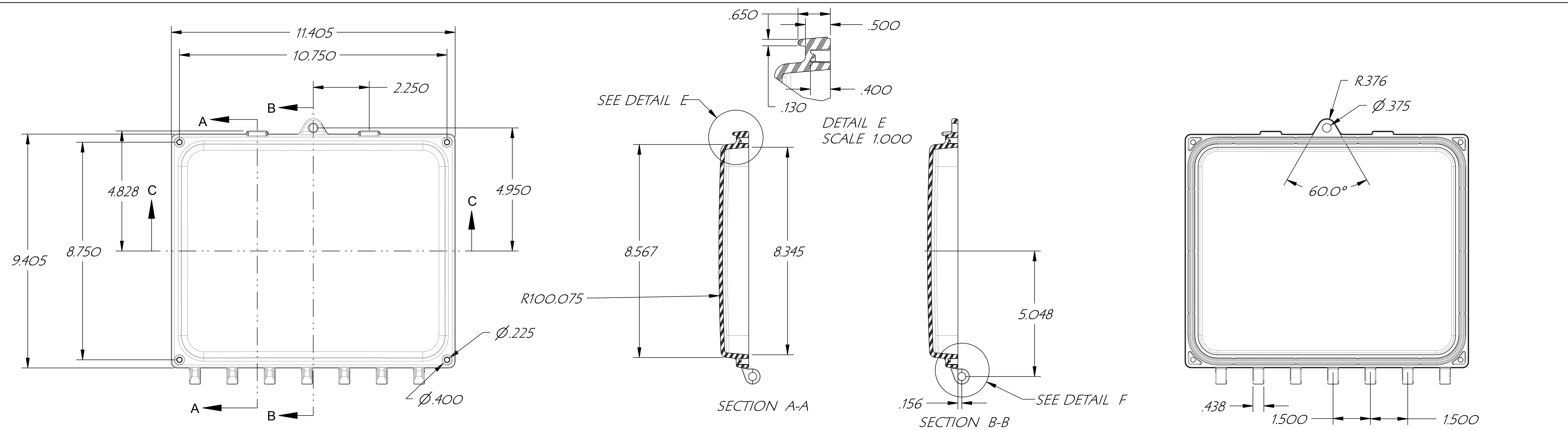
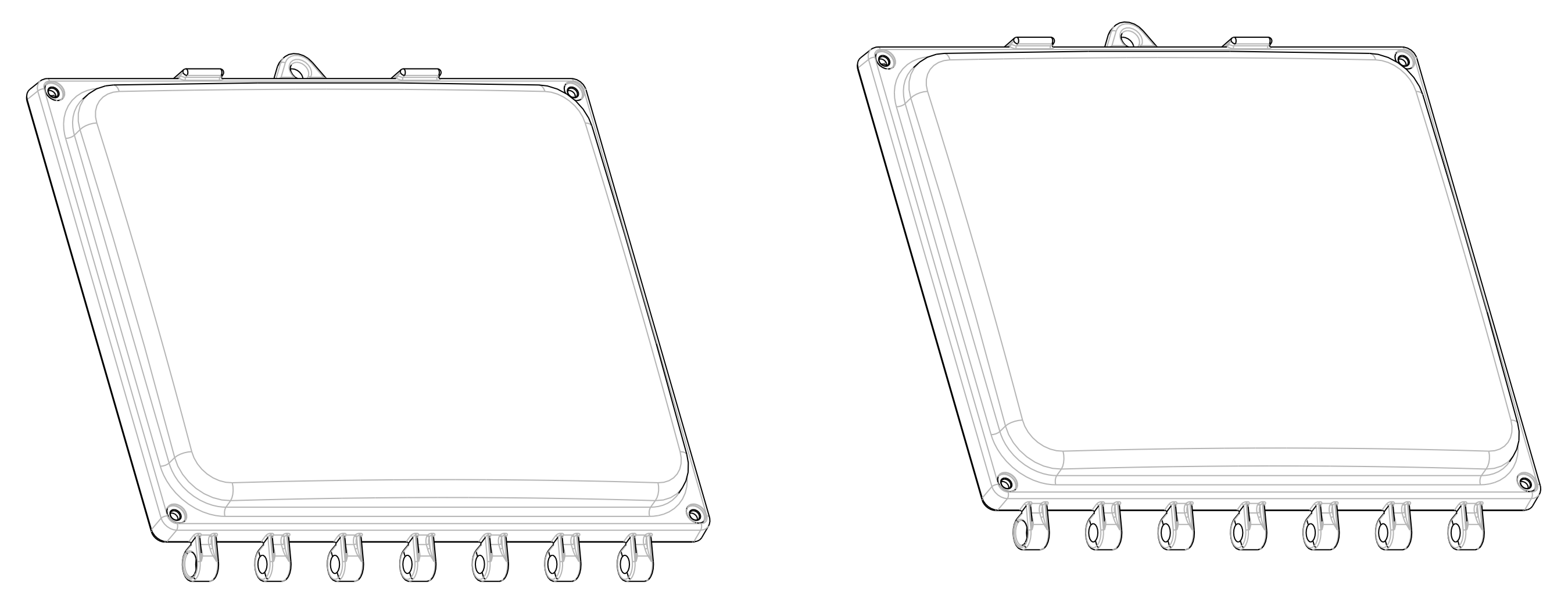
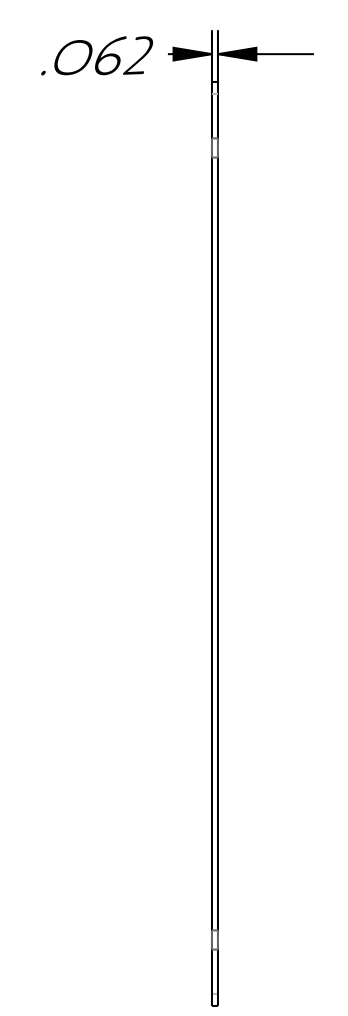
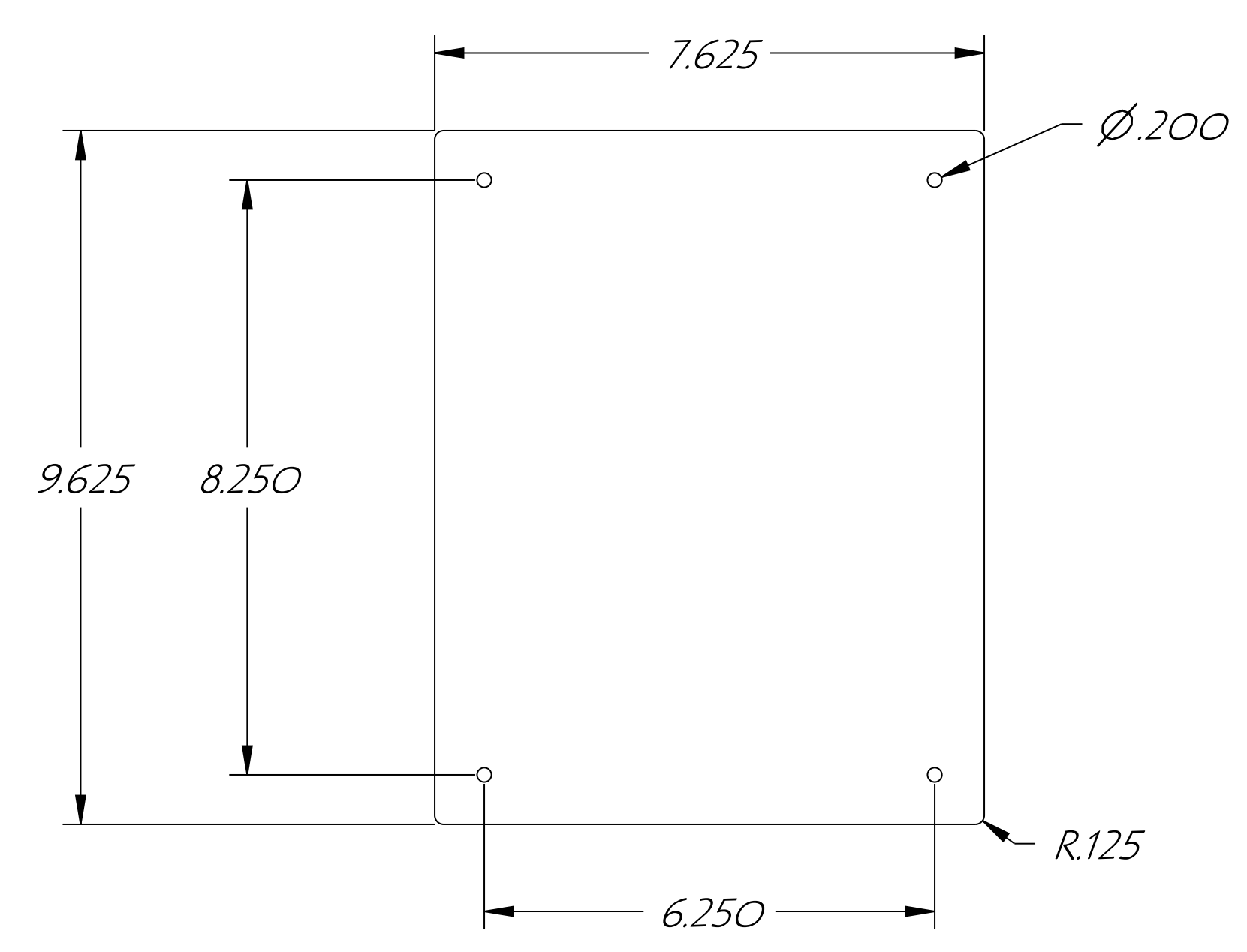
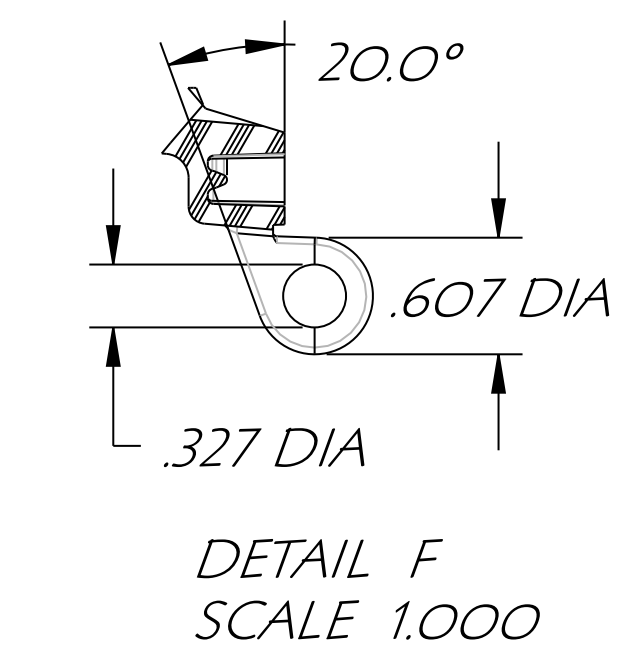


10 X 8 ENCLOSURE

DES. C.R.W. DRN. C.R.W. CHKD.	<b>ATTABOX</b>		CUSTOMER	
APP. DATE 10/16/07 SCALE				
TOLERANCES: 2 PLACE DEC. 010 FRACTIONAL 3 PLACE DEC. 005 ± 1/64 UNLESS OTHERWISE SHOWN 4 PLACE DEC. 0005 ± 1/64	PART NAME ENCLOSURE & LID	PART NO.	PART MAT'L POLYCARBONATE	
	TOOL DESC. SINGLE CAVITY INJECTION MOLD		SHRINK .006/IN.	SHEET OF

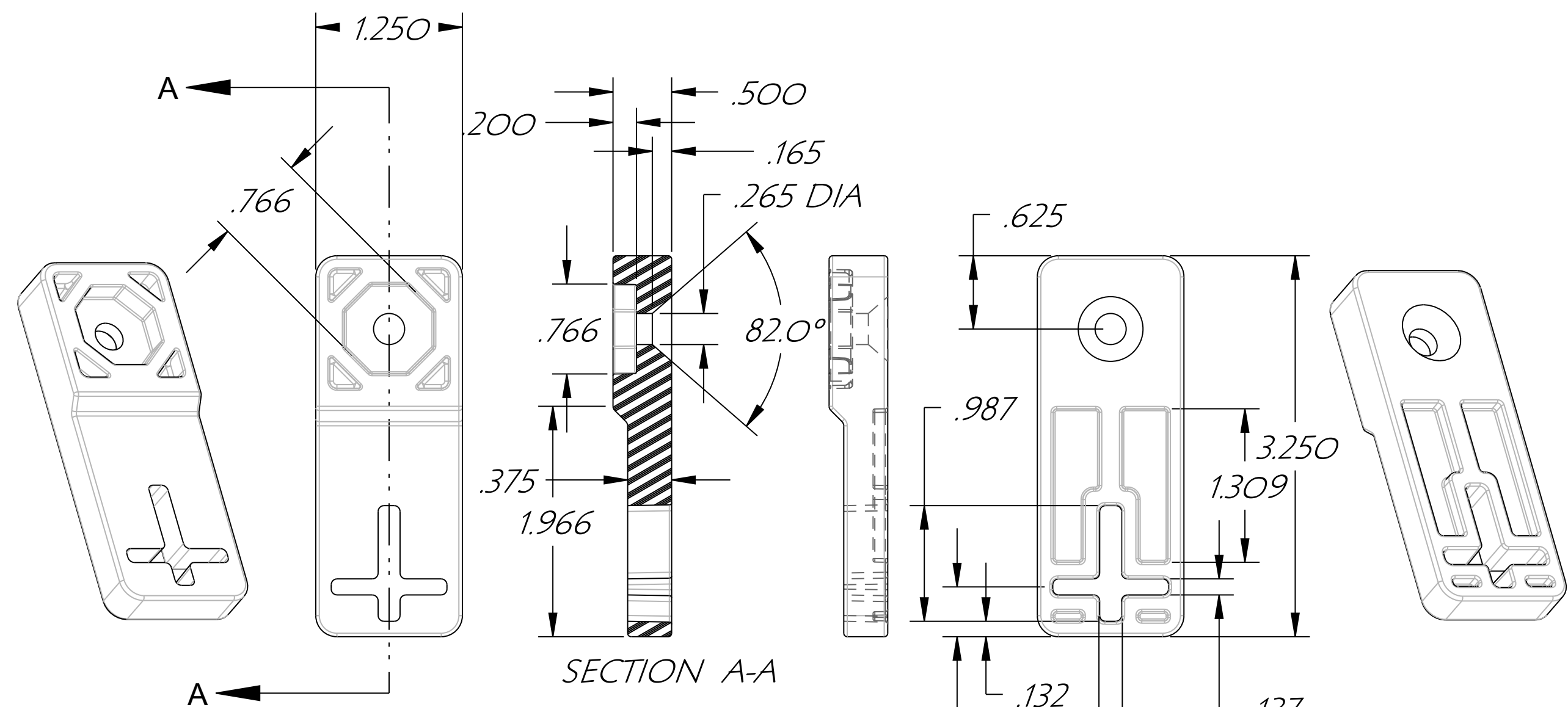


10 X 8 LID



SUB PANEL OR SWING PANEL

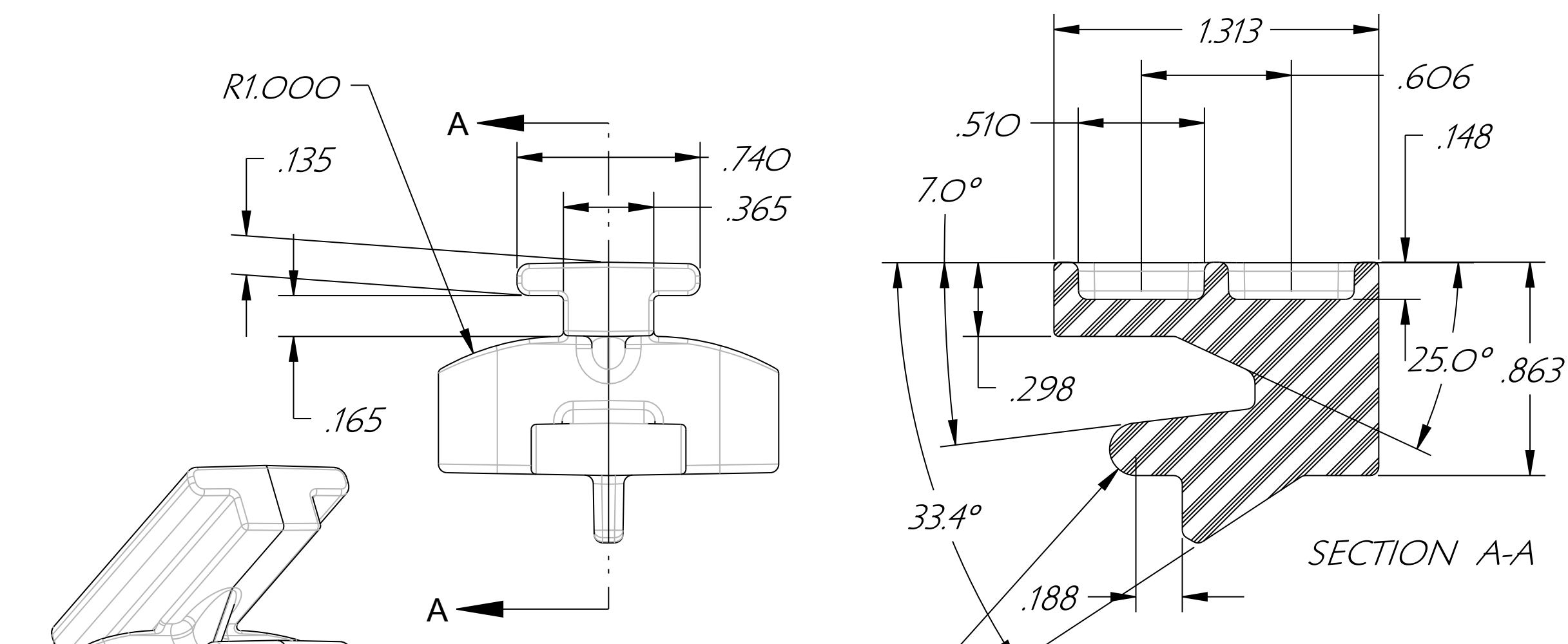
DES. C.R.W. DRN. C.R.W. CHKD.	ATTABOX		CUSTOMER
APP. DATE 10/16/07 SCALE	PART NAME ENCLOSURE & LID	PART NO.	PART MAT'L POLYCARBONATE
TOLERANCES: 2 PLACE DEC. .010 FRACTIONAL 3 PLACE DEC. .005 ± 1/64 UNLESS OTHERWISE SHOWN 4 PLACE DEC. .0005 ± 1/64	TOOL DESC. SINGLE CAVITY INJECTION MOLD	SHRINK .006/IN.	SHEET OF



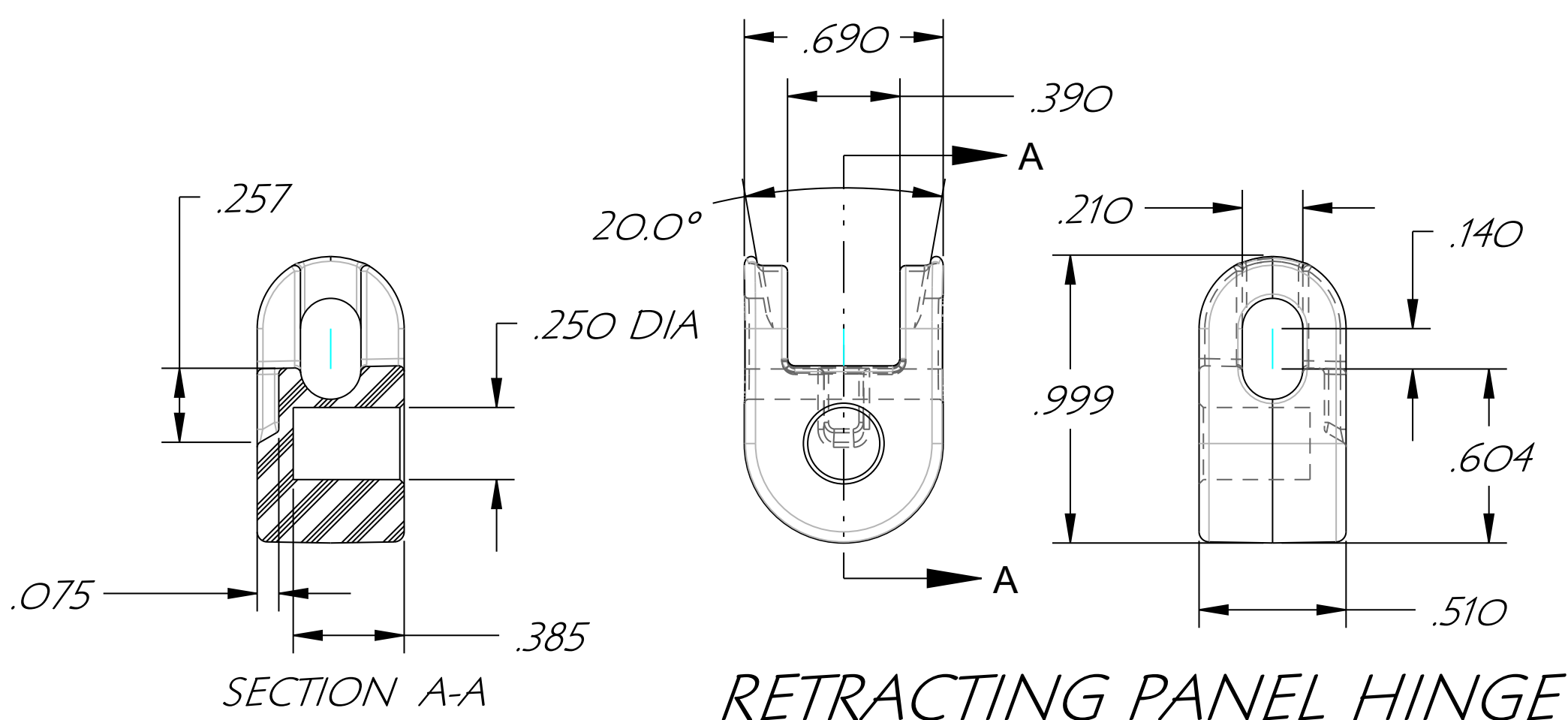
ADJUSTABLE FOOT MOUNT



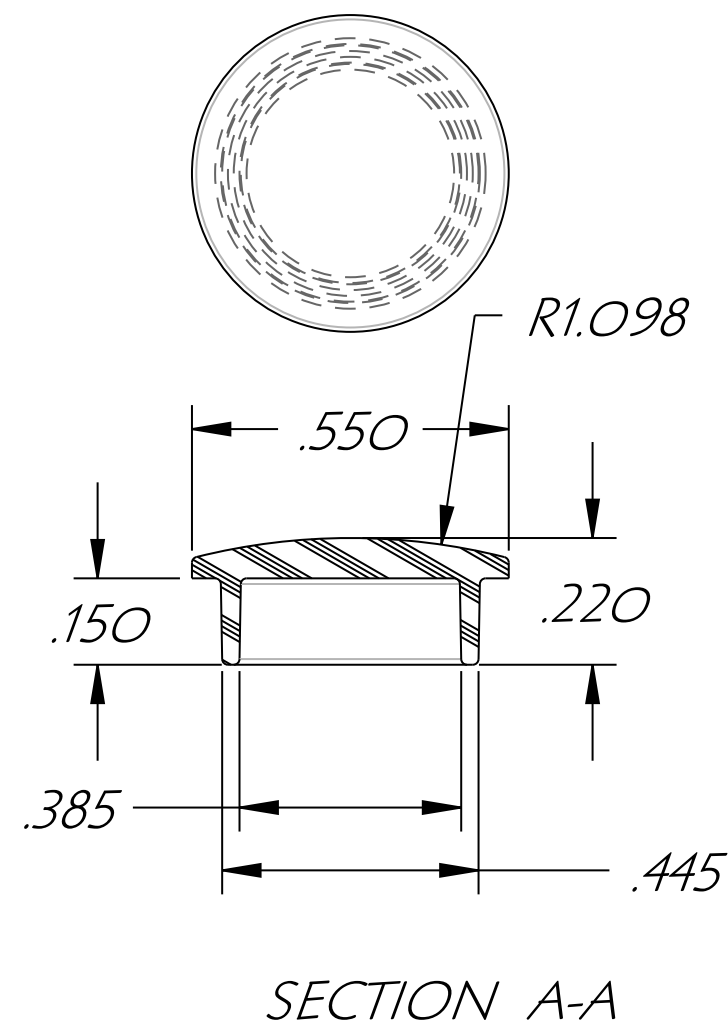
LID HINGE CAP



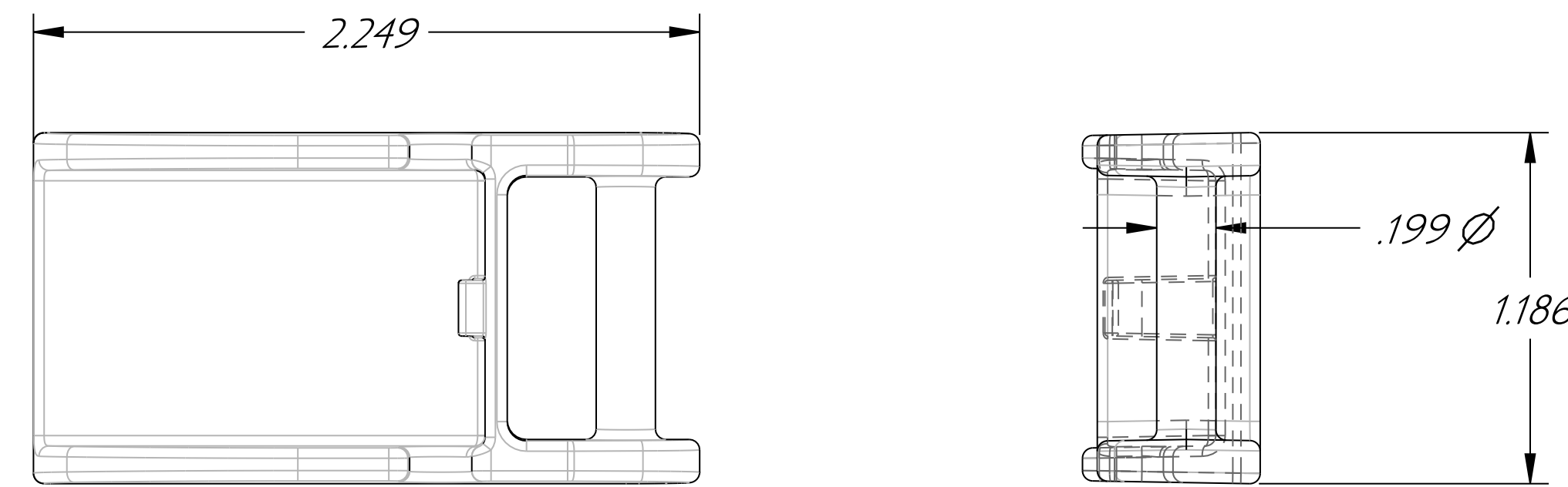
FLUSH PANEL MOUNT



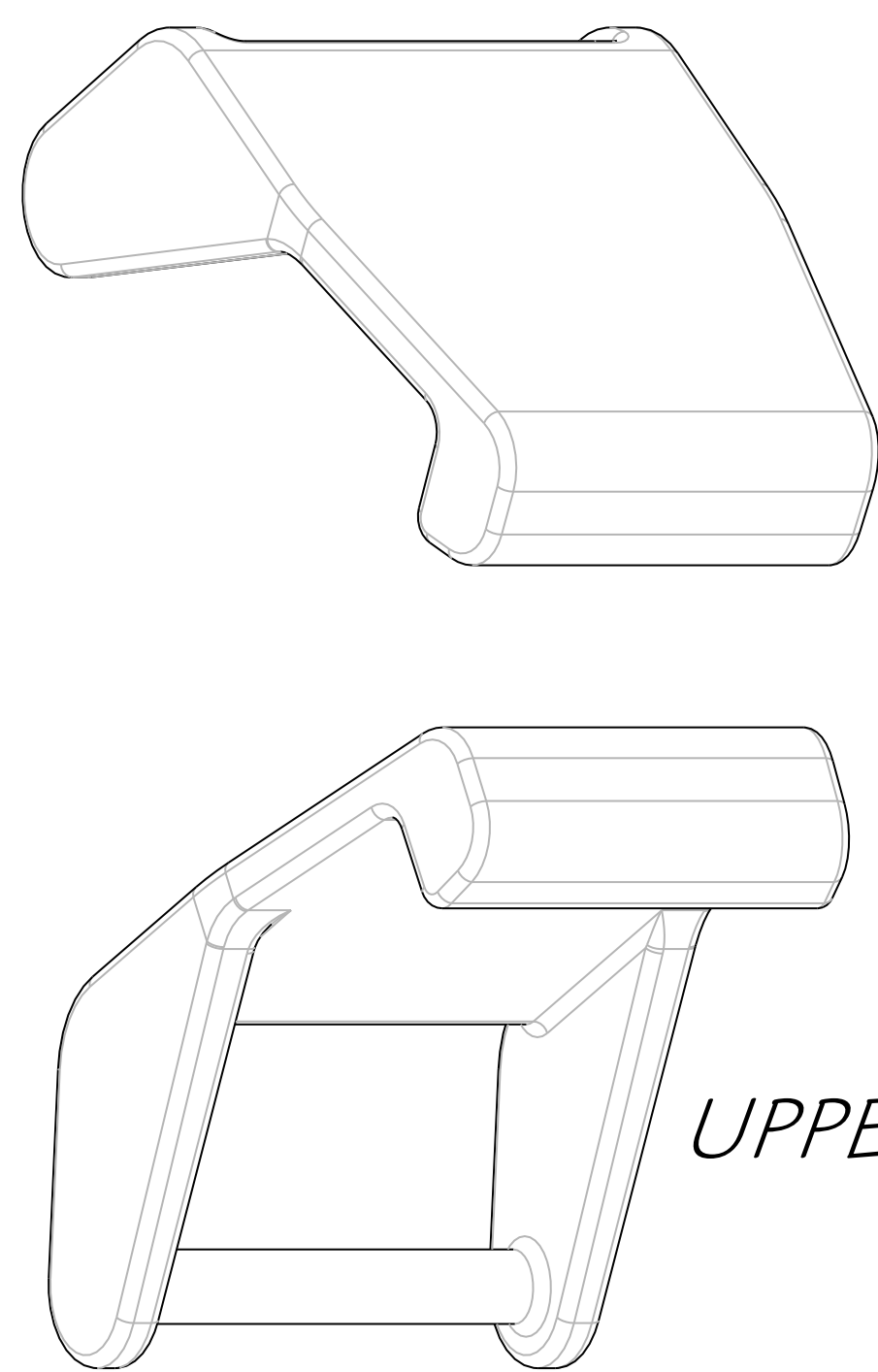
RETRACTING PANEL HINGE



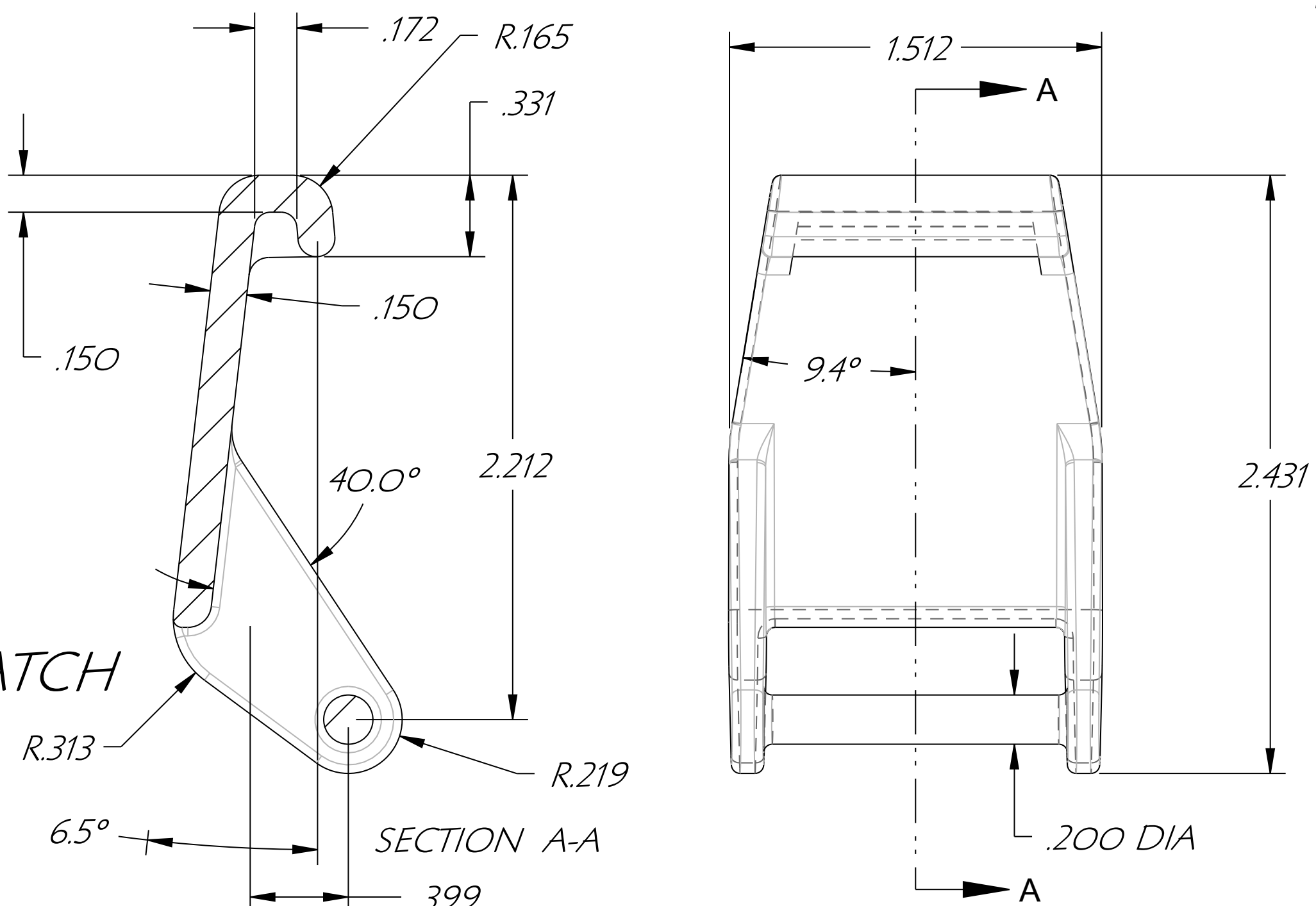
SECTION A-A



LOWER LATCH



UPPER LATCH



PLUG

DES. C.R.W.	DRN. C.R.W.	CHKD. CHD.	ATTABOX		CUSTOMER
APP. DATE 10/16/07	SCALE		PART NAME ENCLOSURE & LID	PART NO.	PART MAT'L POLYCARBONATE
TOLERANCES: 2 PLACE DEC. 010	FRAC.		TOOL DESC. SINGLE CAVITY INJECTION MOLD	SHRINK .006/IN.	SHEET OF
UNLESS OTHERWISE SHOWN	4 PLACE DEC. 0005	± 1/64			