



DIS471B-R

DC INPUT, FIELD RANGEABLE PROCESS INDICATOR

FEATURES

- Provides 3½ Digit Display Calibrated in Engineering Units (°F, °C, %, PSI, etc.) Proportional to DC Input
- USER RANGEABLE -32 mV to 256 VDC and 0.8 mA to 1 ADC
- Fits Standard 1/8 DIN Cutout (Oversize Bezel)
- Calibrate from Front of Control Panel
- Rated NEMA-4, Splashproof when Properly Installed
- 5 Year Warranty

DESCRIPTION

The DIS471B-R provides a 3½ display proportional to a DC input signal. Span of the input is selected by a moveable jumper on the rear of the housing. The display controls are wide-ranging so that it can be calibrated to display engineering units. A complete set of engineering units labels is shipped with each DIS.

All controls for calibration of the display are accessible by removing a gasketed front access panel. DIS instruments are gasketed and, when properly installed, are NEMA-4 splashproof.

Terminations are made to a screw terminal connector on the rear of the case.

TYPICAL APPLICATIONS

Monitor a process DC voltage or current and indicate the value of the process measurement in appropriate engineering units.

SPECIFICATIONS

INPUT RANGE

Voltage
±32 mV to ±128 VDC
Current
±0.8 mA to ± 1 ADC

INPUT IMPEDANCE

Voltage
1 megohm

Current	Shunt Resistance
0.8 mA to 32 mA	61.9 ohm
32 mA to 256 mA	4 ohm
256 mA to 1 A	0.25 ohm

ACCURACY

±0.05% of span plus 1 digit

LINEARITY

±1 digit

COMMON MODE REJECTION

100 dB, DC to 60 Hz

DISPLAY

Digit Size
.56" LED, 3½" digits, ±1999 indication

Decimal Point
1.9.9.9

Control Range
Zero
-1999 to +1999

Span
min span 100/max 1999

Update Rate
3/sec

Reverse Display
Switch selectable
Reads downscale with increasing input

OPERATING TEMPERATURE

14°F to 140°F/-10°C to 60°C

TEMPERATURE STABILITY

±0.02% of span/°C max

BREAKDOWN VOLTAGE

INPUT-TO-LINE
1500 VAC rms

POWER

24 VDC ±10%
(2 W max)

ORDERING INFORMATION

INPUT

Select Units

VDC mADC

Enter Input

Zero Scale

Full Scale

DISPLAY

Enter Display

Zero Scale

Full Scale

Select Display Logic

Normal Acting

Reverse Acting

OPTIONS

Conformal Coating

TAGS

Specify Tag Numbers

Tag number is typed on product label at no charge.

Enter Tag Number(s)

ACCESSORIES

DIS471B

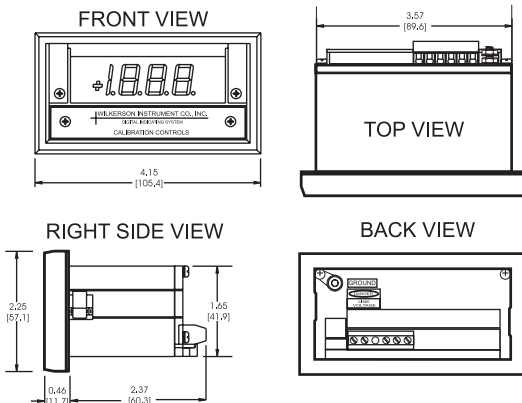
No accessories available at this time.

MOUNTING

The DIS471B is designed to be mounted from the front panel through a standard horizontal 3.62 X 1.77 inches (1/8 DIN) cutout. Two mounting cam-screws allow the securing of the DIS471 to the panel from the front.

DIMENSIONS

Inches [mm]



CONNECTIONS

TERM 1	Power AC L1
TERM 2	Power AC L2
TERM 3	NC
TERM 4	Shield
TERM 5	Input -
TERM 6	Input +

WILKERSON INSTRUMENT CO., INC.
www.wici.com

2915 Parkway Street
Lakeland, FL 33811-1391 · USA
800-234-1343
Tel: 863-647-2000 · Fax: 863-644-5318
www.wici.com · Email: sales@wici.com