



Gas Tube Coaxial Surge Protector

P8AX Series



The P8AX series coaxial surge protectors have been designed to protect antennas, microwaves, broadband applications, two-way radios, cellular, GPS and CATV equipment against lightning surges and electrical transients. They are a first line of defense for your sensitive equipment.

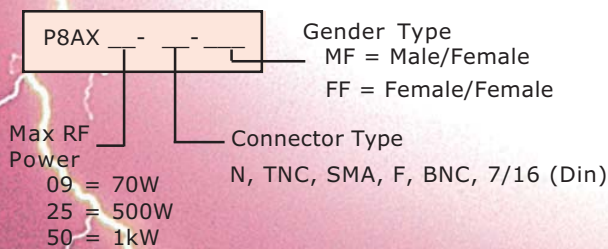
The P8AX series employs a patented gas tube. They are waterproof (IP66) and available with three grounding options: M6 ground screw, bulkhead or optional mounting bracket.

Applications

- Tower Mounted Amplifiers (TMA)
- Global Positioning Systems (GPS)
- Antenna Systems
- Tower Top Electronics (TTE)
- Transmitters and Receivers
- WiFi
- Broadband Wireless

Connector	0.5Ghz	1Ghz	4Ghz
N	<-25dB <0.05dB	<-25dB <0.03dB	<-20dB <-0.29dB
BNC	<-25dB <0.05dB	<-25dB <0.03dB	<-20dB <-0.29dB

Ordering information



High-Frequency Surge Protection

- 20kA transient amps protection (8/20µs)
- 5kA transient amps protection (10/350µs)
- DC Pass to +/-48V
- VSWR < 1.2
- Insertion Loss < 0.1dB
- Bi-directional, series installed
- Waterproof
- Removable GDT

Specifications

Citel Model	P8AX09	P8AX25	P8AX50
Max Power	70W	500W	1,000W
Insertion Loss	< 0.1dB	< 0.1dB	< 0.1dB
Ipeak (8/20µs x 1)	20kA	20kA	20kA
Breakdown V (100V/s)	90-130V	200-300V	400-600V
Residual V (1kV/µs)	< 600V	< 600V	< 1000V
VWSR	< 1.2	< 1.2	< 1.2
Impedance	50 Ohms ¹	50 Ohms ¹	50 Ohms ¹
Frequency Range	DC-5GHz	DC-5GHz	DC-5GHz
Housing Material	Copper Alloy with CuZnSn Finish		
Relative Humidity	0 to 100% condensing		
Operating Temp.	-40°C to +80°C		
Operating Altitude	13,000 ft (4,000m)		
Connection Method	Series (Bi-Directional)		
Connectors	N, TNC, SMA, F, BNC, 7/16		
Available Options	Right Angle, Reverse Polarity		
Earthing	M6 Screw, Bulkhead, Bracket		
Dimensions	42Wx80L (in mm)		

¹ Impedance for F-Type Connector is 75 Ohms.

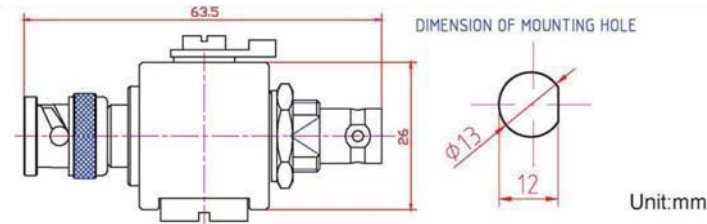


Gas Tube Coaxial Surge Protector

P8AX Series - Dimensional Drawings

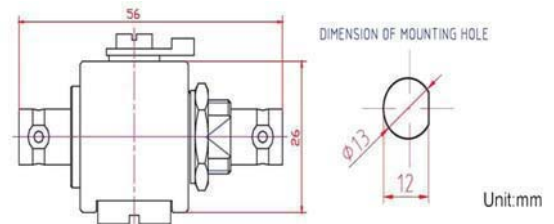
P8AX-B-MF

BNC Male to BNC Bulkhead Female



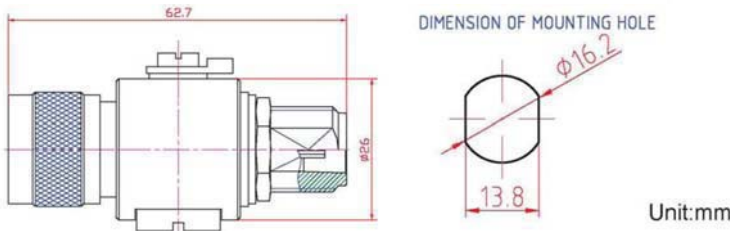
P8AX-B-FF

BNC Female to BNC Bulkhead Female



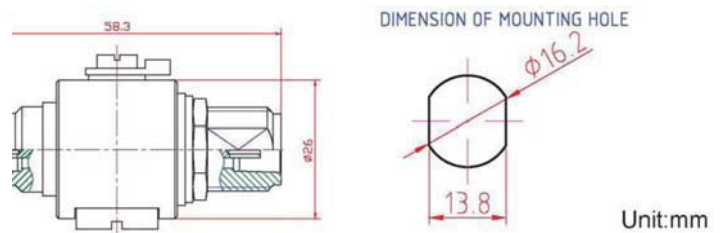
P8AX-N-MF

N Male to N Bulkhead Female



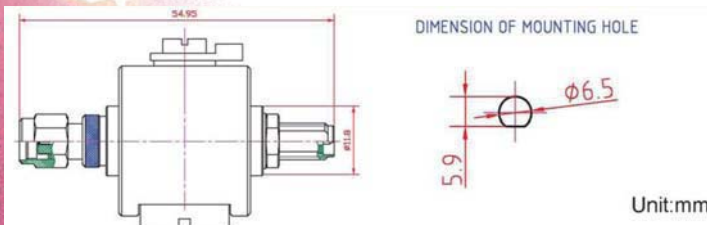
P8AX-N-FF

N Female to N Bulkhead Female



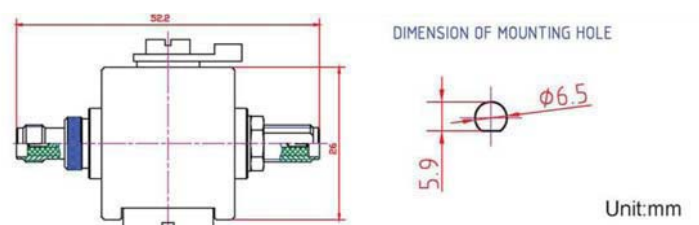
P8AX-SMA-MF

SMA Male to SMA Bulkhead Female



P8AX-SMA-FF

SMA Female to SMA Bulkhead Female



Outer Dimension Tolerance: +/- 0.2mm
Grounding Screw Tolerance: -0.05mm

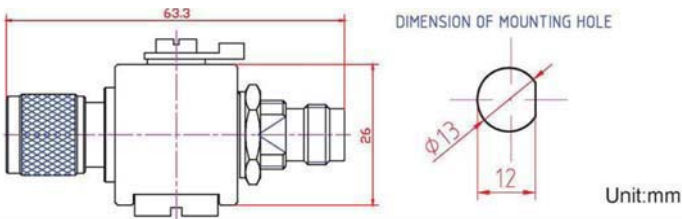


Gas Tube Coaxial Surge Protector

P8AX Series - Dimensional Drawings

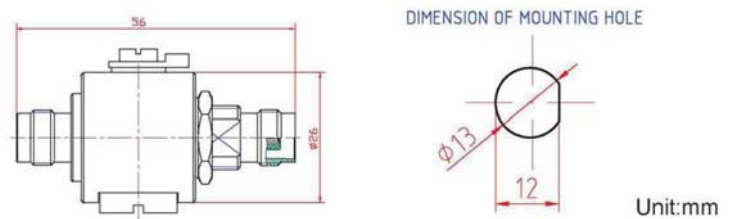
P8AX-T-MF

TNC Male to TNC Bulkhead Female



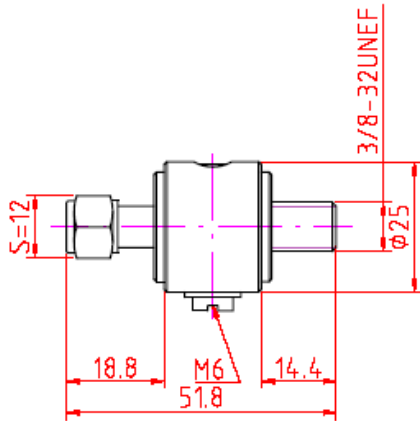
P8AX-T-FF

TNC Female to TNC Bulkhead Female



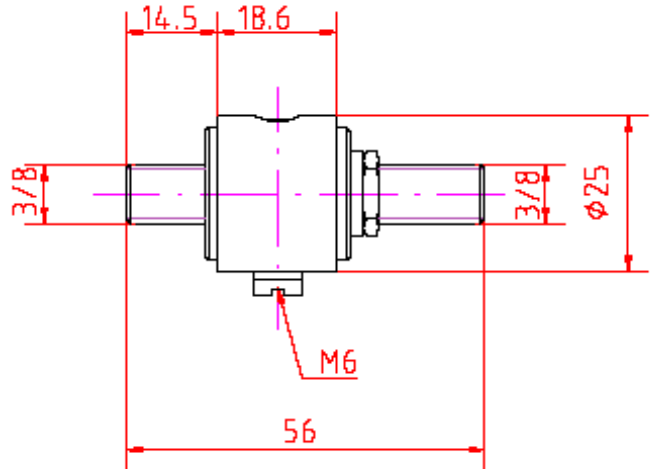
P8AX-F-MF

F Male to F Bulkhead Female



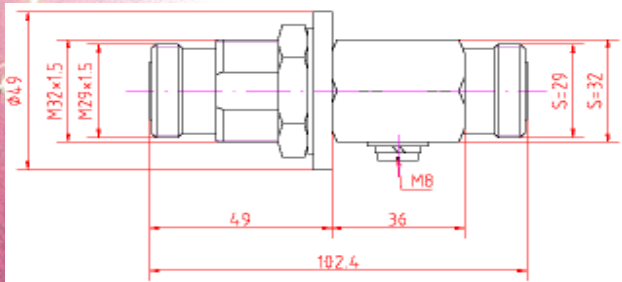
P8AX-F-FF

F Female to F Bulkhead Female



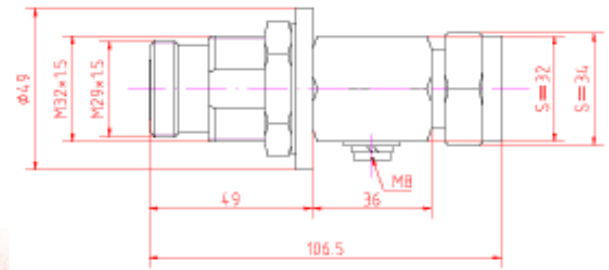
P8AX-7/16-MF

7/16 Male to 7/16 Bulkhead Female



P8AX-7/16-FF

7/16 Female to 7/16 Bulkhead Female



Outer Dimension Tolerance: +/- 0.2mm
Grounding Screw Tolerance: -0.05mm