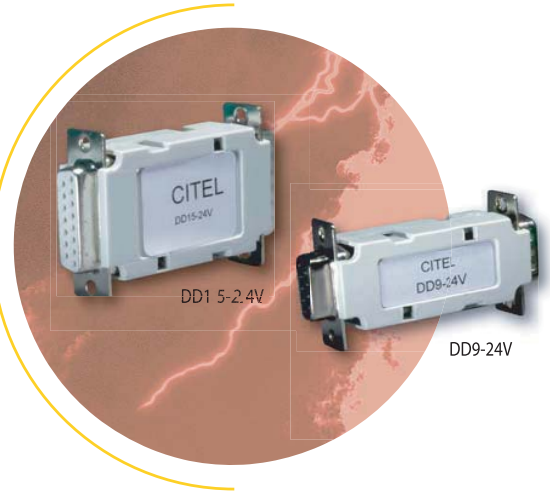




Data «D-Sub» Surge Protectors

DD

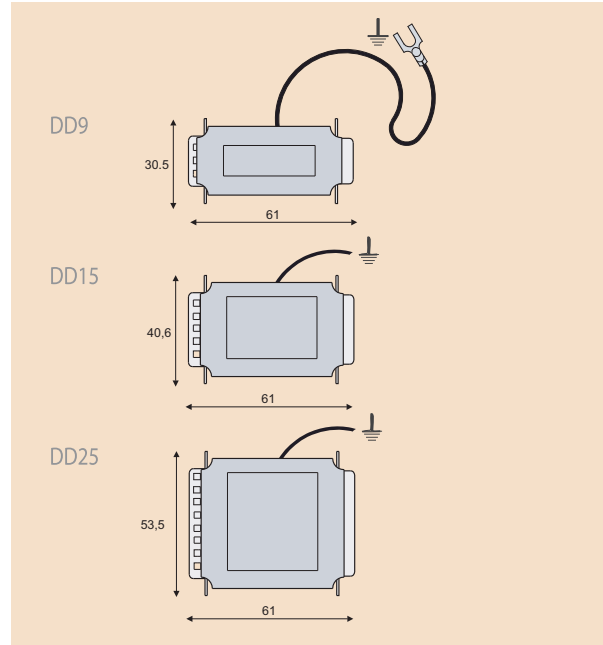


These surge protectors are designed to protect sensitive equipment linked to data lines equipped with D-Sub connectors (RS232, RS422 and RS485 communication lines). They protect against surge voltages caused by lightning or switching operations. They are equipped with D-sub connectors for fast and easy maintenance. In order to comply with the all line configurations all pins are protected. The DD Series uses a combination of ultra-fast clamping diodes and thyristors in order to reach a high level of efficiency.



- «D-Sub» surge protectors
- For RS232, RS422, RS485 communication lines
- Fast & easy installation
- 9, 15, and 25 pin connectors

Dimensions (in mm)



C21

Characteristics

CITEL part number	DDx-6V	DDx-24V
Type of line	RS442/RS485	RS232/4-20 mA
Connectique Sub-D 25 pts	DD25-6V	DD25-24V
Connectique Sub-D 15 pts	DD15-6V	DD15-24V
Connectique Sub-D 9 pts	DD9-6V	DD9-24V
Max. line voltage (Uc)	6 V	15 V
Capacitance	< 30 pF	< 30 pF
Maximum data rate	< 40 Mbps	< 40 Mbps
Clamping voltage (Up)	7.5 V	18 V
Nominal discharge current (In)	400 A	300 A
Connector wiring	all wires transmitted and protected	all wires transmitted and protected
Mounting	on connector	on connector
Earthing	by wire	by wire
Housing material	thermoplastic	thermoplastic
Dimensions	see drawings	see drawings