



LP400

LOOP POWERED DISPLAY

FEATURES

- Provides 3½ Digit Liquid Crystal Display (LCD) Proportional to a Process Loop Current
- Loop Powered
- Easy-to-Read 0.8" Digits
- Trailing Dummy Zero (± 19990)
- Switch-Selectable Engineering Units / Loop Current Display
- Splashproof and Corrosion Resistant Housing
- 5 Year Warranty

DESCRIPTION

The LP400 Loop Powered Display provides digital indication of a 4/20 mA or 10/50 mA process loop signal. The display takes its operating power from the loop current and requires no other source of power.

Wide-ranging zero and span adjustments plus switch selectable decimal point location and trailing zero allow the display to be calibrated in engineering units. A front panel

Engineering Units/Loop Current switch permits a quick check of the process signal without recalibration.

Designed for field mounting, the LP400 is splashproof and corrosion resistant and operates from -40 to 185°F (-40 to 85°C). The circuit board is conformal coated for protection from humidity and contamination. Optional accessories include a pipe mounting kit, and a mounting plate

which allows a Wilkerson Instrument Company two-wire transmitter to be installed within the LP400's housing.

TYPICAL APPLICATIONS

Displaying process variables where line power is NOT available.

SPECIFICATIONS

INPUT RANGE

4/20 mA or
10/50 mA

INPUT VOLTAGE DROP

3.5 V max. (equivalent to 175 ohms at 20 mA or 70 ohms at 50 mA)

ACCURACY

$\pm(0.05\%$ of reading
plus 1 digit)

DISPLAY

Digit Size
0.8" LCD,
3½ digits,
 ± 1999

Switchable Decimal Points and
Trailing Zero
 $\pm 1.9.9.9.0$

Control Range Zero
 ± 1999

Span
(full scale minus zero)
min span 10/max span 3998

Update
3/sec

DISPLAY SWITCH

Allows quick check of loop
current (400/1999 or 100/500)
Decimal point remains in
engineering units position

OPERATING TEMPERATURE

-40°F to 185°F/-40°C to 85°C

TEMPERATURE STABILITY

$\pm(0.01\%$ of span plus 0.01% of
display zero offset)/°C

POWER

Supplied by input current
no separate power required

HOUSING

Splashproof and corrosion
resistant

ORDERING INFORMATION

INPUT

Select Units

4/20 mA DC 10/50 mA DC

DISPLAY

Enter Display

Zero Scale

Full Scale

Select Display Logic

Normal Acting
 Reverse Acting

TAGS

Specify Tag Numbers

Tag number is typed on product label at no charge.

Enter Tag Number(s)

ACCESSORIES

LP400

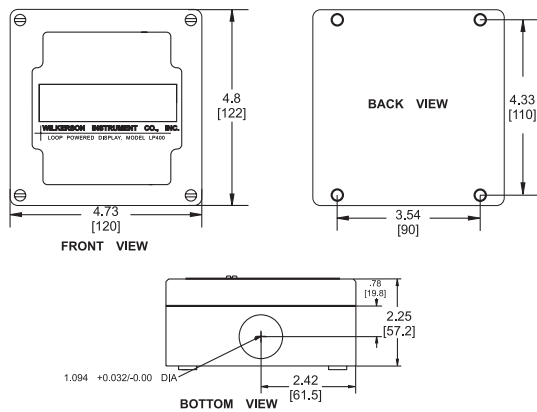
PMK400

Pipe Mounting Kit for LP400

QTY _____

DIMENSIONS

Inches [mm]



CONNECTIONS

PIN +
 PIN -
 PIN Center Pins

Input +
 Input -
 Tie Points