

# DIS871-24 AND DIS971-24

## 4/20 mA DC INPUT PROCESS INDICATOR WITH 24 VDC POWER SUPPLY FOR TWO-WIRE TRANSMITTER



### FEATURES

- Provides 3½ Digit or 4½ Digit Display
- Display Calibrated in Engineering Units (°F, °C, %, PSI, etc.) Proportional to DC Input
- Mount, Wire and Calibrate from Front
- Fully Isolated Output and/or 0, 1, or 2 Alarms
- Alarm Setpoints Adjustable without Disturbing Transmitter Output
- Fail-Safe Alarm Operation
- LED Alarm Status Indicator
- Adjustable Deadband
- 24 VDC Power Supply for Two-Wire Transmitters
- 4/20 mA Input Range
- Unlimited\* Choice of Input / Output Ranges
- Fits Standard 1/8 DIN Cutout
- Rated NEMA-4, Splashproof when Properly Installed
- 5 Year Warranty

### DESCRIPTION

The DIS871-24 and DIS971-24 provide a display, optional isolated DC output voltage or current proportional to a DC input signal, and optional alarm setpoints. All Wilkerson products are designed with RFI filters and lightning protection to reduce susceptibility to electrical noise and damage by lightning. The digital display utilizes an auto-zero dual-slope integrating A/D converter for accuracy and stability. The instrument contains a 24 VDC transmitter power

supply specifically designed for use with two-wire and other 24 VDC powered transmitters.

All controls are accessible by removing the gasketed front access panel. The display controls are wide-ranging so that they can be calibrated to display engineering units. Decimal point selection is made with a switch, also accessible from the front.

A complete set of engineering unit labels is sent with each DIS. Once the display has been adjusted to read the correct engineering units, the alarm

setpoints can be adjusted without test equipment and without disturbing the output voltage or current.

Either setpoint may be displayed by use of the SP CAL switch. Each setpoint has an LED to indicate alarm status. The alarms have adjustable deadbands. Terminations are made to a screw terminal connector on the rear of the case.

### TYPICAL APPLICATIONS

DC process indication, control, monitoring, isolation, DC monitor/ current limit, two-wire excitation.

### SPECIFICATIONS

#### INPUT RANGE

4/20 mA

#### INPUT IMPEDANCE

61.9 ohms

#### TRANSMITTER POWER SUPPLY

24 VDC regulated, 30 mA max

#### OPTIONS SA, DA SETPOINT

each alarm 0 to 100% of span

#### DEADBAND

0.25% to 100% of span

#### RELAY CONTACTS (spdt)

Resistive Load

5 A max, 150 W max,

240 VAC max

30 VDC max

Inductive Load

1/8 HP max at 120/240 VAC

#### OPTION TX OUTPUT RANGE

Voltage

select any range between

±10 V, 10 mA max load

(min span 0.2 V)

Current

select any range from 0 to

20 mA max,

>24V compliance

(1200 ohms max at 20 mA)

(min span 1 mA)

#### OUTPUT RIPPLE (Peak-to-Peak)

<0.1% of span

#### ISOLATION

Output / Input

>500 megohms

Breakdown Voltage

>600 VAC rms

#### RESPONSE TIME

(Range Dependent)

≤ 100 ms

#### ACCURACY

±0.1% of span

#### LINEARITY

Display

±0.01% of span

Output

±0.025% of span

#### COMMON MODE REJECTION

120 dB, DC to 60 Hz

#### DISPLAY (871)

Digit Size

.56" LED, 3½ digits, ±1999

Decimal Point ±1.9.9.9

Control Range

Zero ±1999

Span

min span 10/max span 2000

#### DISPLAY (971)

Digit Size

.56" LED, 4½ digits, ±19999

Decimal Point ±1.9.9.9.9

Control Range

Zero ±19999

Span

min span 100/max span 20000

#### DISPLAY

Update 3/sec

#### OPERATING TEMPERATURE

14°F to 140°F/-10°C to 60°C

#### TEMPERATURE STABILITY

±0.02% of span/°C max

#### POWER

115 VAC ±10%, 50 or 60 Hz

(4 W max)

230 VAC ±10%, 50 or 60 Hz

(4 W max)

\* Within specified range limits.

**ORDERING INFORMATION**

**POWER**

- 115 VAC, 50/60 Hz Power
- 230 VAC, 50/60 Hz Power

**OUTPUT (Option TX)**

**Analog Output**

- Yes  No

**Select Units**

- VDC  mADC

**Enter Output**

Zero Scale

Full Scale

**Select Output Logic**

- Normal Acting
- Reverse Acting

**DISPLAY**

**Select Digits**

- 3.5 Digits (DIS871-24)
- 4.5 Digits (DIS971-24)

**Enter Display**

Zero Scale

Full Scale

**Select Display Logic**

- Normal Acting
- Reverse Acting

**ALARMS (Option SA, DA)**

**Alarm Output**

- Yes  No

**Alarm Selection Quantity**

- Single (SA)  Dual (DA)

**Alarm Action**

Alarm 1

- High  Low

Alarm 2

- High  Low

**Alarm Logic**

- Normal - De-energize on Alarm
- Reverse - Energize on Alarm

**Enter Setpoint Input Level**

Setpoint 1

Setpoint 2

**OPTIONS**

- Conformal Coating

**TAGS**

**Specify Tag Numbers**

Tag number is typed on product label at no charge.

**Enter Tag Number(s)**

**ACCESSORIES**

**DIS871-24 AND DIS971-24**

No accessories available at this time.

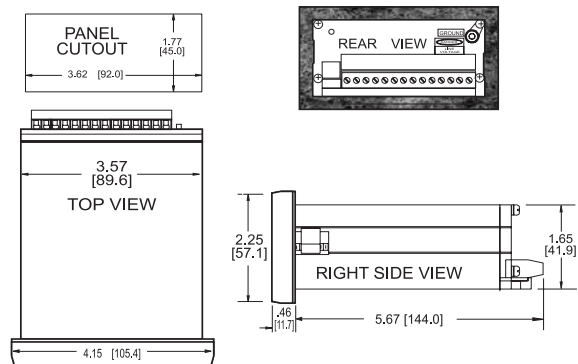
**MOUNTING**

The DIS is designed to be mounted from the front panel through a standard horizontal 3.62 X 1.77 inches (1/8 DIN) cutout. Two mounting cam-screws allow the securing of the DIS to the panel from the front.

**DIMENSIONS**

Inches [mm]

**DIS SERIES II  
PROCESS INDICATORS**



**CONNECTIONS**

- TERM 1 Output -
- TERM 2 Output +
- TERM 3 24 VDC +
- TERM 4 24 VDC -
- TERM 5 Input +
- TERM 6 Input -
- TERM 7 Alarm 1 NC
- TERM 8 Alarm 1 C
- TERM 9 Alarm 1 NO
- TERM 10 Alarm 2 NC
- TERM 11 Alarm 2 C
- TERM 12 Alarm 2 NO
- TERM 13 Power AC L1
- TERM 14 Power AC L2



2915 Parkway Street  
Lakeland, FL 33811-1391 • USA  
**800-234-1343**  
Tel: 863-647-2000 • Fax: 863-644-5318  
www.wici.com • Email: sales@wici.com