



DIS471B- ()

DC INPUT PROCESS INDICATOR

FEATURES

- Factory Set Input Span - User Adjustable Display
- Provides 3½ Digit Display Calibrated in Engineering Units (°F, °C, %, PSI, etc.) Proportional to DC Input
- Wide Choice of Inputs Available
- Fits Standard 1/8 DIN Cutout (Oversize Bezel)
- All Calibrate on Front of Control Panel
- Rated NEMA-4, Splashproof when Properly Installed
- 5 Year Warranty

DESCRIPTION

The DIS471B- () provides a 3½ display proportional to a DC input signal. Span of the input is factory set. The display controls are wide-ranging so that it can be calibrated to display engineering units. A complete set of engineering units labels is shipped with each DIS.

All controls for calibration of the display are accessible by removing a gasketed front access panel. DIS instruments are gasketed and, when properly installed, are NEMA-4 splashproof.

Terminations are made to a screw terminal connector on the rear of the case.

TYPICAL APPLICATIONS

Monitor a process DC voltage or current and indicate the value of the process measurement in appropriate engineering units.

SPECIFICATIONS

INPUT RANGE

Voltage

0/50 mV	0/100mV
0/1V	1/5V
0/5V	0/10V
-10/10V	0/20V
0/100V	0/200V

Current

0/1mA	4/20mA
0/20mA	0/50mA
10/50mA	0/100mA
0/500mA	0/1 A

INPUT IMPEDANCE

Voltage
1 megohm

Current	Shunt Resistance
0.8 mA to 32 mA	61.9 ohm
32 mA to 256 mA	4 ohm
256 mA to 1 A	0.25 ohm

ACCURACY

±0.05% of span plus 1 digit

LINEARITY

±1 digit

COMMON MODE REJECTION

100 dB, DC to 60 Hz

DISPLAY

Digit Size
.56" LED, 3½" digits

Decimal Points
1.9.9.9

Control Range

Zero
-1999 to +1999

Span
min span 100/max 1999

Update Rate
3/sec

Reverse Display
Switch selectable
Reads downscale with increasing input

OPERATING TEMPERATURE

14°F to 140°F/-10°C to 60°C

TEMPERATURE STABILITY

±0.02% of span/°C max

BREAKDOWN VOLTAGE

INPUT-TO-LINE
1500 VAC rms

POWER

24 VDC ±10%
(2 W max)

ORDERING INFORMATION

INPUT

Select Input

Current

- 1 4/20mA
- 2 0/20mA
- 3 0/1mA
- 4 0/50mA
- 5 0/100mA
- 6 0/500mA
- 7 0/1A
- 8 10/50mA

Voltage

- 10 0/10V
- 11 0/5V
- 12 1/5V
- 13 0/1V
- 14 0/100mV
- 15 0/50mV
- 16 -10/10V
- 17 0/20V
- 18 0/50V
- 19 0/100V
- 20 0/200V

DISPLAY

Enter Display

ZeroScale

FullScale

Select Display Logic

- Normal Acting
- Reverse Acting

OPTIONS

- Conformal Coating

TAGS

Specify Tag Numbers

Tag number is typed on product label at no charge.

Enter Tag Number(s)

ACCESSORIES

DIS471B

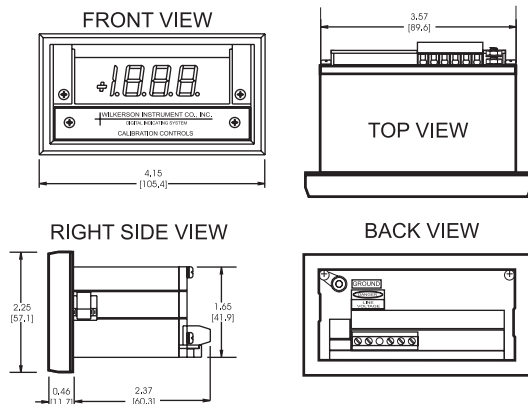
No accessories available at this time.

MOUNTING

The DIS471B is designed to be mounted from the front panel through a standard horizontal 3.62 X 1.77 inches (1/8 DIN) cutout. Two mounting cam-screws allow the securing of the DIS471 to the panel from the front.

DIMENSIONS

Inches [mm]



CONNECTIONS

- TERM 1 Power AC L1
- TERM 2 Power AC L2
- TERM 3 NC
- TERM 4 Shield
- TERM 5 Input -
- TERM 6 Input +



2915 Parkway Street
 Lakeland, FL 33811-1391 · USA
800-234-1343
 Tel: 863-647-2000 · Fax: 863-644-5318
 www.wici.com · Email: sales@wici.com